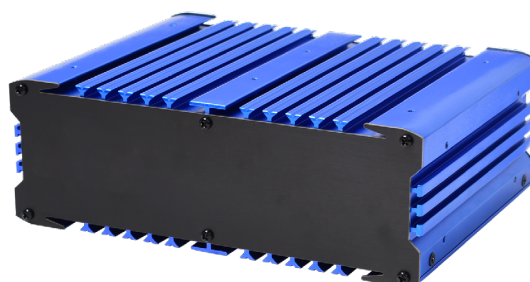


IBOX-105-4L2C2P



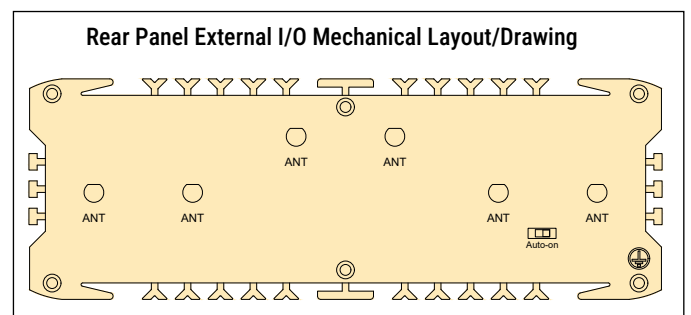
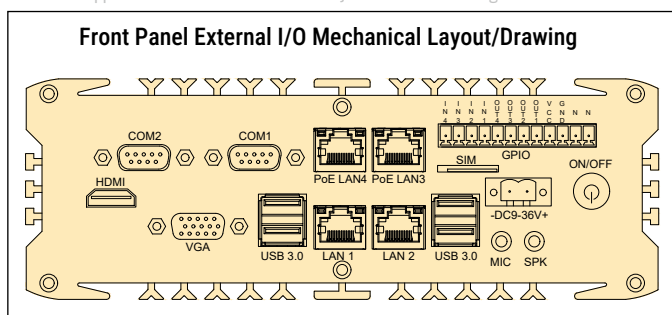
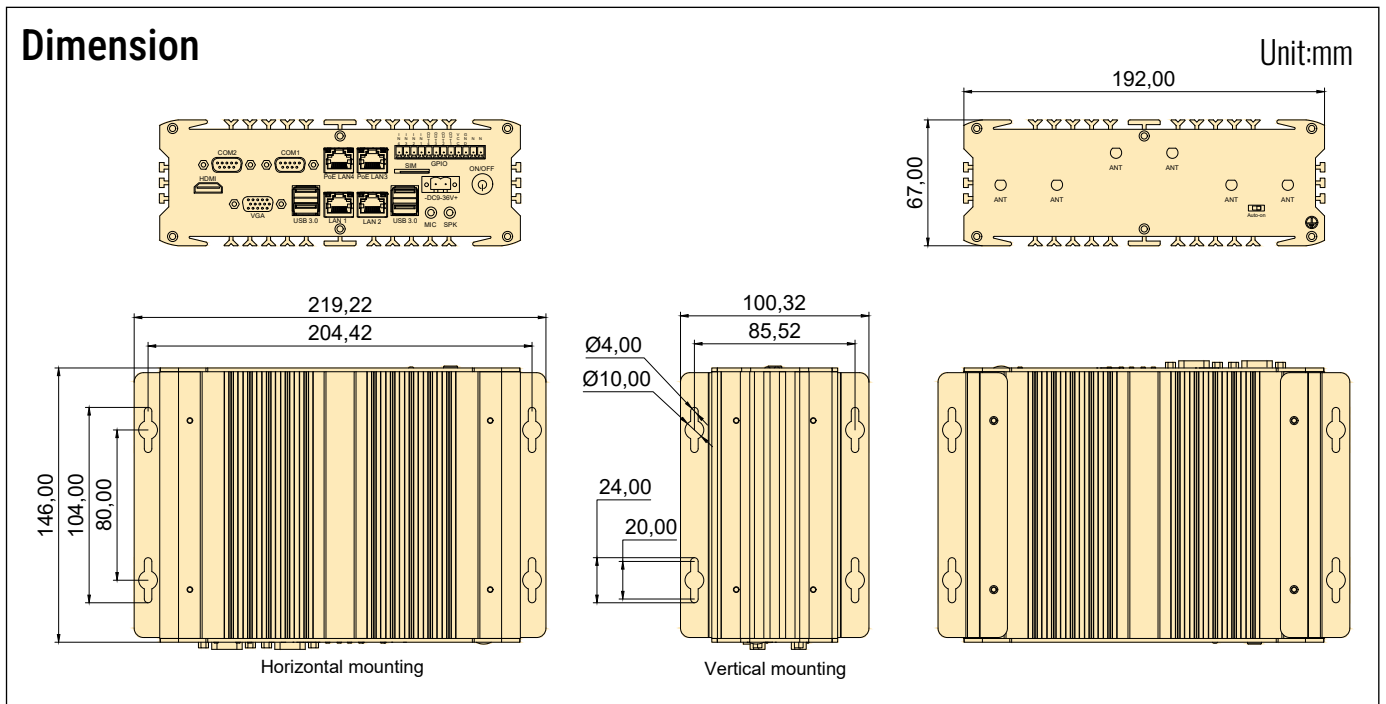
- Support up to new Intel® Iris® Xe graphics, the platform offers up to 2.95 times faster graphics performance
- When it works with Tiger Lake processor, the graphics, media, and display engine with up to two VDBOXes that can decode over 40 incoming video streams at 1080p and 30 frames per second.
- 4-11th Generation Intel Core processors optional with rich expansion slot offers strong scalability
- Full aluminum alloy anti-interference structure with modular parts design offers stronger system stability
- Fully enclosed with fanless cooling system and cable-free design for better vibration resistance
- Multiple mounting options available, DIN-Rail, Wall-Mount, Embedded



The actual appearance is subject to the final configuration.

Specifications

Model	IBOX-105-4L2C2P			
Supported OS	Win 7, Win 8, Win 10, Win11, Linux (Ubuntu, Debian, Kali, CentOS, etc.); WES 7; Win 10 IoT			
CPU	Series/ Model	4th~5th Gen. Intel® Core™ Processor	6th~8th Gen. Intel® Core™ Processor Intel® Celeron® 3865U/ 5205U	11th Gen. Intel® Core™ Processor Intel® Celeron® 6305E
	TDP	Up to 15W	Up to 15W	Up to 28W
RAM	Type & Qty	1* SO-DIMM Socket	2* SO-DIMM Socket	2* SO-DIMM Socket
	Frequency	DDR3L-1333/1600 MHz	DDR4-2133/2400 MHz	DDR4-3200 MHz
	Capacity	Up to 8GB	Up to 32GB	Up to 64GB
Storage Device	SATA	1* 2.5" SATA3.0 Bay on board (6Gb/s)		
	MSATA	1* mSATA3.0 slot on board (6Gb/s)		
I/O Interface	COM	2* Isolated COM with TVS protection (COM1-2, DB9 connectors, support RS232/485, switchable by BIOS) 2* COM headers on board (COM3-4, support RS232, shared with GPIO);		
	Ethernt with PoE	2* 1.0 GbE PoE LAN, Intel i211, support IEEE802.3af (RJ45/ M12 connector optional)		
	Ethernt without PoE	2* 1.0 GbE LAN, Intel i211/i210, RJ45 only (Only Intel i3-5020U is working with intel i210 GbE LAN)		2* 2.5 GbE LAN, Intel i225, RJ45
	USB	2* USB3.0; 2* USB2.0; 1* Internal USB 2.0; 2* USB2.0 header	4* USB3.0; 1* Internal USB 2.0; 2* USB2.0 header	2* USB3.0; 2* USB2.0; 1* Internal USB2.0; 2* USB2.0 header
	Video	1* HDMI, Support 4096x2304@24Hz; 1* VGA, Support 1920x1200@60Hz;	1* HDMI, Support 4096x2304@24Hz; 1* VGA, Support 1920x1200@60Hz;	1* HDMI, Support 4096x2304@60Hz; 1* VGA, Support 1920x1200@60Hz;
	Audio	1* MIC, 1* SPK; With 5.1 channels HD Audio Codec Realtek ALC662	1* MIC, 1* SPK; With 5.1 channels HD Audio Codec Realtek ALC662	1* MIC, 1* SPK; With 7.1 channels HD Audio Codec Realtek ALC897
	SIM	1* External SIM card slot connected to M.2 B-key slot;	1* External SIM card slot connected to M.2 B-key slot; Support optional 2nd SIM card slot connected to Mini-PCIe	
	Power Supply	9-36V DC; 1* Terminal Block (2-Pin, 5.08mm)		
	Other	1* 8-bit GPIO (4-Inputs/4-Outputs, 0-5V Input Range) and 1* Remote Switch on Terminal Block (12-Pin, 3.81mm). 1* Auto-On Switch		
Extended Capabilities	Additional Internal Interface	1* M.2 2230 E-key Slot (PCIe+USB2.0); 1* M.2 3052 B-key with SIM card slot (USB 3.0)	1* Full Size Mini-PCIe (PCIe+USB2.0); 1* M.2 2230 E-key Slot (PCIe+USB2.0); 1* M.2 3052 B-key with SIM card slot (USB 3.0)	
Environment	Operating Temp.	-10 ~ 55 °C w/ 0.7m/s Airflow		
	Storage Temp.	-40 ~ 85 °C (-40~185 °F)		
	Relative Humidity	40 °C @ 95%, Non-Condensing		
Physical Characteristics	Dimensions	192* 72* 143 mm (W* H* D)		
	Net Weight	2.5 KG (The actual weight is subject to the final configuration)		
Regulation	EMC	CE/FCC Class B, CCC		
	Safety	CE-LVD, RoHS, CCC		



Ordering Information

SO-DIMM Socket	2.5" SATA3.0 Bay	mSATA3.0 Slot	M.2 3052 B-key Slot	M.2 2230 E-key Slot	Full Size Mini-PCle	RS232/485	COM Headers	GbE POE LAN	GbE LAN
1 or 2	1	1	1	1	0 or 1	2	2	2	2

!! Note: The Mini-PCle is not available when the device is equipped with 4th-5th Gen. Intel® Core™ & Celeron® processor

USB 3.0	Internal USB 2.0	USB 2.0 Header	HDMI	VGA	MicIn	LineOut	8-bit GPIO	External SIM Card Slot	Power Supply
4	1	2	1	1	1	1	1	1	DC 9-36V

Packing list

Default Items	Qty
IBOX-105-4L2C2P Unit	1
AC-to-DC Adapter	1
Wall mounting bracket	2
Power cable 3-pin 150cm	1

Options for default items

Optional Items	Qty
Power cable 3-pin 150cm, USA type	-
Power cable 3-pin 150cm, EU type	-
Power cable 3-pin 150cm, UK type	-
VESA mount kits	-
DIN Rail mount kits	-
External Fan Kit For 11th Gen. Solution	-

Processors Info & Available List

CPU	Code Name	Total Cores	Total Threads	Max Turbo Frequency	Base Frequency	Cache	TDP	Memory Types	Integrated Graphics
Intel® Core™ I5-4300U	Haswell	2	4	2.90 GHz	1.90 GHz	3 MB Intel® Smart Cache	15W	DDR3	Intel® HD Graphics 4400
Intel® Core™ I7-4600U	Haswell	2	4	3.30 GHz	2.10 GHz	4 MB Intel® Smart Cache	15W	DDR3	Intel® HD Graphics 4400
Intel® Core™ I3-5020U	Broadwell	2	4	-	2.20 GHz	3 MB	15W	DDR3	Intel® HD Graphics 5500
Intel® Celeron® 3865U	Kaby Lake	2	2	-	1.80 GHz	2 MB Intel® Smart Cache	15W	DDR4	Intel® HD Graphics 610
Intel® Celeron® 5205U	Comet Lake	2	2	-	1.90 GHz	2 MB	15W	DDR4	Intel UHD Graphics
Intel® Core™ I5-6360U	Skylake	2	4	3.10 GHz	2.00 GHz	4 MB Intel® Smart Cache	15W	DDR4	Intel® Iris® Graphics 540
Intel® Core™ I7-6650U	Skylake	2	4	3.40 GHz	2.20 GHz	4 MB Intel® Smart Cache	15W	DDR4	Intel® Iris® Graphics 540
Intel® Core™ I5-7200U	Kaby Lake	2	4	3.10 GHz	2.50 GHz	3 MB Intel® Smart Cache	15W	DDR4	Intel® HD Graphics 620
Intel® Core™ I5-7360U	Kaby Lake	2	4	3.60 GHz	2.30 GHz	4 MB	15W	DDR4	Intel® Iris Plus Graphics 640
Intel® Core™ I7-7600U	Kaby Lake	2	4	3.90 GHz	2.80 GHz	4 MB Intel® Smart Cache	15W	DDR4	Intel® HD Graphics 620
Intel® Core™ I3-8145U	Whiskey Lake	2	4	3.90 GHz	2.10 GHz	4 MB Intel® Smart Cache	15W	DDR4	Intel® UHD Graphics 620
Intel® Core™ I5-8265U	Whiskey Lake	4	8	3.90 GHz	1.60 GHz	6 MB Intel® Smart Cache	15W	DDR4	Intel® UHD Graphics 620
Intel® Core™ I7-8565U	Whiskey Lake	4	8	4.60 GHz	1.80 GHz	8 MB Intel® Smart Cache	15W	DDR4	Intel® UHD Graphics 620
Intel® Celeron® 6305E	Tiger Lake	2	2	-	1.80 GHz	4 MB Intel® Smart Cache	15W	DDR4	Intel UHD Graphics
Intel® Core™ I5-1135G7	Tiger Lake	4	8	4.20 GHz	2.40 GHz	8 MB Intel® Smart Cache	12-28W	DDR4	Intel® Iris® Xe Graphics; 80Eus
Intel® Core™ I7-1195G7	Tiger Lake	4	8	5.00 GHz	2.90 GHz	12 MB Intel® Smart Cache	12-28W	DDR4	Intel® Iris® Xe Graphics eligible; 96Eus

All products and company name listed are trademarks or trade names of their respective companies.

Optional accessories or internal modules for unit

Optional Items	Max Qty	Description
Isolated 8-bit GPIO, 9-24V	1	Phoenix Terminal connector, connected by non-standard M.2 interface
Isolated 8-bit GPIO with current loading, 9-26V	1	Digital signal, Phoenix Terminal connector, connected by non-standard M.2 interface
Isolated 15-bit GPIO, 0-5V	1	Digital signal, Phoenix Terminal connector, connected by non-standard M.2 interface
Isolated 15-bit GPIO with 7-in & 8-out, 12-24V	1	Digital signal, Phoenix Terminal connector, connected by non-standard M.2 interface
Isolated RS-232	2	DB9 or Phoenix Terminal connector, connected by header
Non-Isolated RS-232	2	DB9 or Phoenix Terminal connector, connected by header
RS-422 With Surge Protection	2	DB9 or Phoenix Terminal connector, connected by header, with additional RS232 TO RS422 Module
RS-485 With Surge Protection	2	DB9 or Phoenix Terminal connector, connected by header
4G Module	1	Connected by M.2 or Mini-PCIe interface
5G Module	1	Connected by M.2 interface
WiFi Module without AP mode	1	Connected by M.2 interface or Mini-PCIe interface
WiFi Module with AP mode	1	Connected by Mini-PCIe interface
Dual channel CAN-Bus Module	1	Connected by Mini-PCIe interface
Ignition Switch Module	1	Phoenix Terminal connector, connected by internal power switch and 4-pin ATX power connector

!! Note: As this product has expansion slots, please consult sales for the specific maximum number of expandable interfaces.