

# IDP-0700W



- Front panel supports IP65 waterproof and dustproof rating
- Wide range operating temperature supports harsh environment
- Multiple screen types available for different requirements
- Standard integrated frame support different installation way
- Multiple video interfaces with HDMI, VGA & DVI-I
- Ultra-slim body size with amazing compact design



The actual appearance is subject to the final configuration

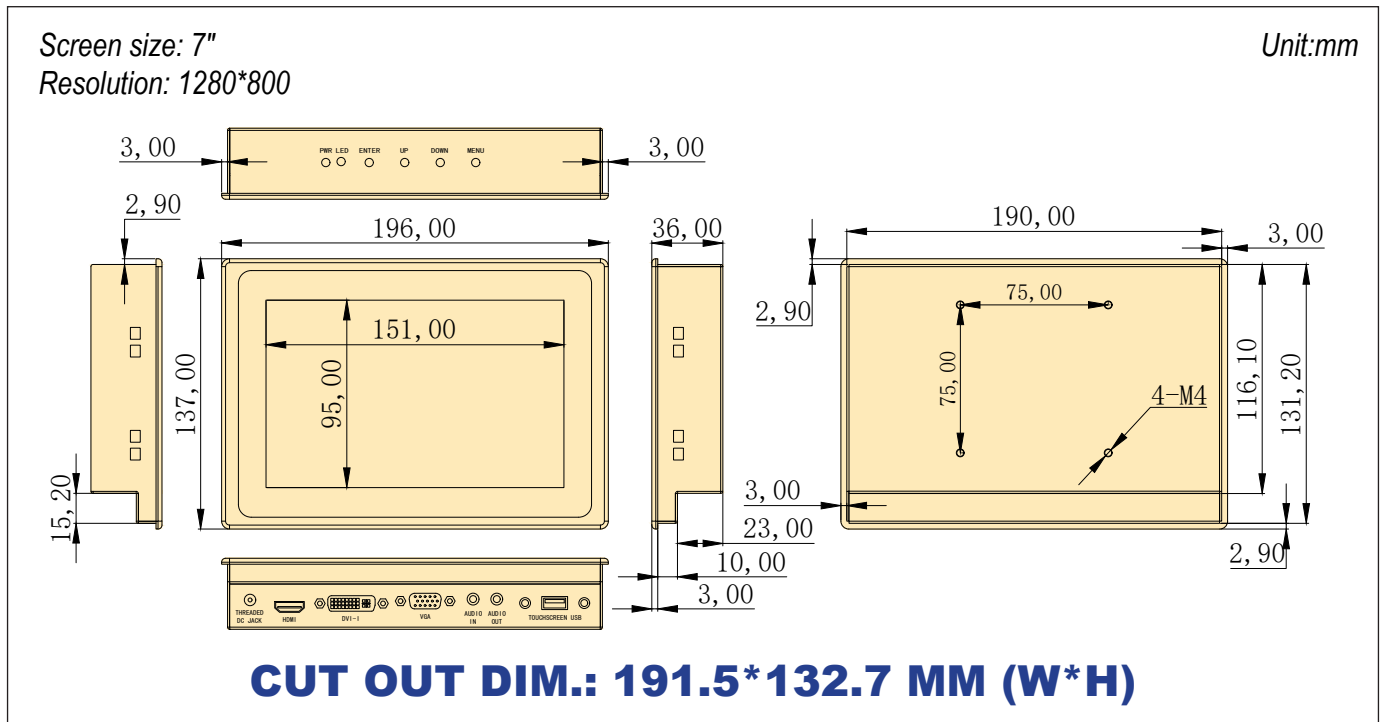
## Introduction

The TP-IPC IDP-0700W Embedded Industrial Panel Mount Monitor series offers flexible options for TFT-LCD, touchscreen, signal interface and chassis mounting. The series provides not only IP65 ingress rating at the front surface, but also with standard integrated frame design, supporting rear and VESA mounting which brings the benefits of easy installation and provides flexibility for different applications.

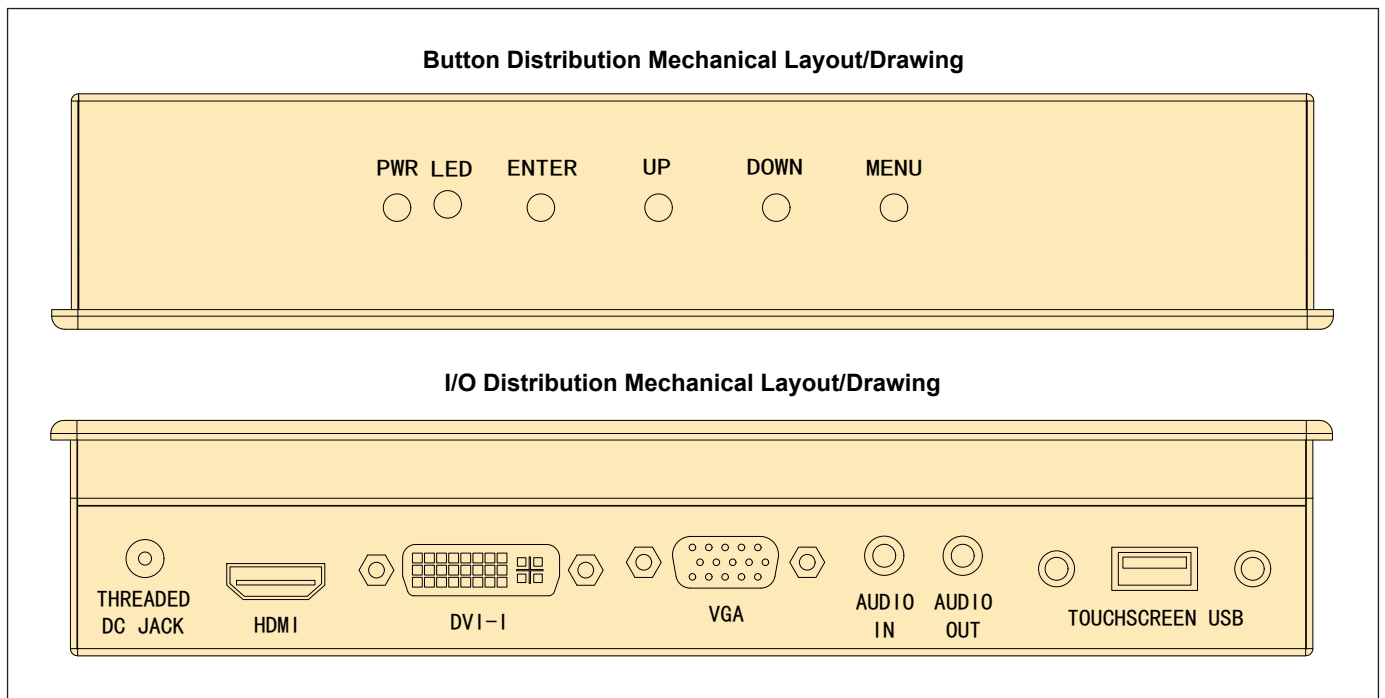
## Specifications

Model	IDP-0700W	IDP-0700W-CT	IDP-0700W-RT
Display Information	Size & Ratio	7", 16:10	
	Resolution	1280 X 800	
	Brightness	400 (Typ.)	
	Viewing Angle	88/88/88/88 (Typ.)(CR>=10)	
	Contrast Ratio	800 : 1 (Typ.) ( Transmission )	
	Display Colors	16.7m 50% (CIE1931)	
	Display Area	149.76 × 93.60 mm	
	Response Time	35 (Typ.)(Tr+Td) ms	
	Frequency	60Hz	
Pixel pitch	0.117 x 0.117 mm		
Touchscreen	Touchscreen Type	5-Wire Resistive Touchscreen	Projected Capacitive Touchscreen
	Touchscreen Method	Single point	Ten point
	Surface	3H	6H
	Durability	1 million touches	-
	Transparency	75%±8%	85± 3%
Environment	Operating Temperature	-10 ~ 50 °C w/ 0.7m/s Airflow	-20 ~ 70 °C w/ 0.7m/s Airflow
	Storage Temperature	-20 ~ 50 °C (-4~122 °F)	-20 ~ 70 °C (-4~158 °F)
	Relative Humidity	40 °C @ 95%, Non-Condensing	
I/O INTERFACE	Vide & Audio	1* HDMI, 1* DVI-I, 1* VGA, 1* Audio In, 1* Audio Out	
	Touchscreen Interface	1* Touchscreen Lockable USB	
	Power Supply	9-32V DC; 1* DC Threaded Jack (5.5* 2.5mm)	
Physical Characteristics	Dimensions	196*137*36mm (W* H* D)	
	Net Weight	0.8KG	
Regulation	EMC	CE/FCC Class B, CCC	
	Safety	CE-LVD, RoHS, CCC	

Dimension



The actual appearance and dimensions are subject to the final configuration



Ordering Information

Part No.	Brightness(cd/m2)	Touch Screen	Video & Audio I/O	Touchscreen Connector	Power Connector	Power Supply
IDP-0700W-CT	400	Projected Capacitive	VGA, DVI, HDMI, Audio In, Audio Out	USB	DC Threaded Jack	9-32V DC
IDP-0700W-RT	400	5-Wire Resistive	VGA, DVI, HDMI, Audio In, Audio Out	USB	DC Threaded Jack	9-32V DC

## Packing List

Optional Items	Qty
IDP-0700W Unit	1
AC-to-DC adapter 12V/3A	1
Power cable 3-pin, 1.5m	1
Embedded mounting kit	1
Lockable M cable USB-A(M)/USB-A(M), 1.5m	1
VGA cable, 1.5m	1

!! Note: the USB cable is equipped for touchscreen only.

## Options For Default Items

Optional Items	Qty
Power cable 3-pin, 1.5m, USA type	1
Power cable 3-pin, 1.5m, EU type	1
Power cable 3-pin, 1.5m, UK type	1
Desktop support bracket	1
Wall-mounted VESA bracket	1
HDMI cable, 1.5m	1
DVI cable, 1.5m	1

## Optional Accessories

Optional Items	Qty	Description
M Cable 9P/9P (Touchscreen RS-232 cable)	-	2/3/5/10/15m
Lockable M cable USB-A(M)/USB-A(M)	-	2/3m
Rotatable wall-mounted VESA bracket	-	75*75mm
Advanced touch-module	-	Support touch function even when there is water on the panel
VGA cable	-	2/3/5/10/15m
HDMI cable	-	2/3/5/10/15m
DVI cable, 1.5m	-	2/3/5/10/15m