

IBOX-104V2-2L6C-11TH



- Ultra-thin design, 44mm height, max optional 55mm height;
- 15W TDP default, BIOS optional with 12W/28W TDP;
- Rich I/O expansion slot, support up to 3* M.2 to expand 4G/WiFi/AI accelerator or high speed hardrive;
- Full sealed design with aluminum alloy cooling enclosure, dustproof, anti-vibration and anti-interference;
- Supports VESA & Wall mounting to fit different applications;
- Optional super slim internal fan cooling system when the TDP is 28W.



The actual appearance is subject to the final configuration.

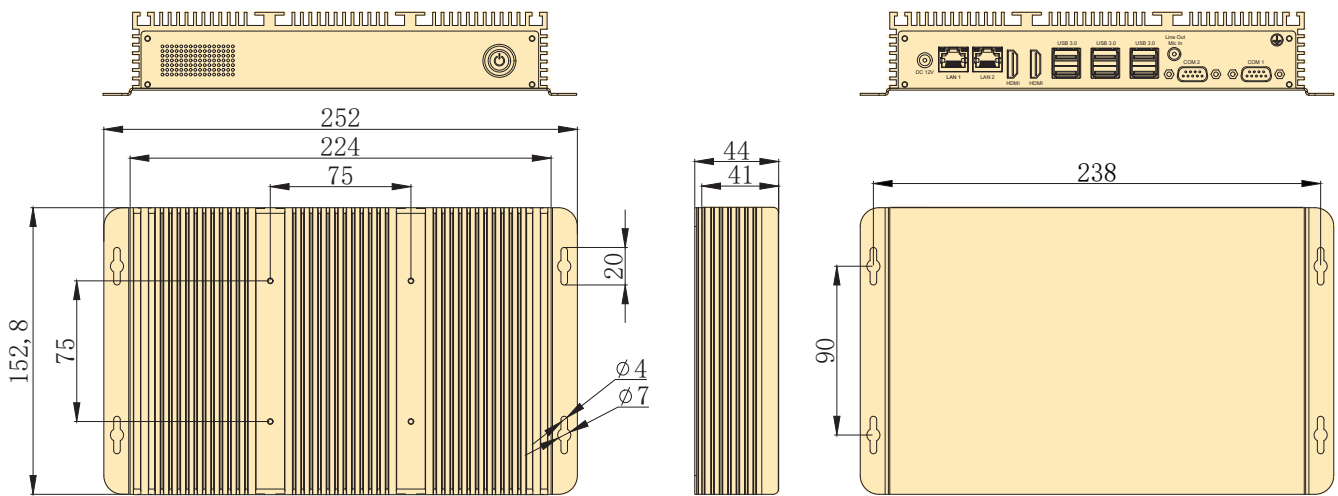
Specifications

Model	IBOX-104V2-2L6C-11TH				
Supported OS	Win 10, Win 10 IoT, Linux (Ubuntu, Dibian, Kali, CentOS, etc.)				
CPU	CPU Model	Intel® Core™ i7-1165G7	Intel® Core™ i5-1135G7	Intel® Core™ i3-1115G4	Intel® Celeron® 6305E
	Graphic	Intel® Iris® Xe Graphics, Up to 96 EUs, 1.3Ghz	Intel® Iris® Xe Graphics, Up to 80 EUs, 1.3Ghz	Intel® UHD Graphics, up to 48 EUs, 1.25Ghz	Intel® UHD Graphics, up to 48 EUs, 1.25Ghz
	TDP	15W by default, 12/ 28W optional			15W
RAM	SO-DIMM	2* non-ECC SO-DIMM Socket, support DDR4-3200 MHz, up to 64GB			
Storage	M.2	1* M.2 (NGFF) 2280 M-key Slot, SATA3.0 by default, support PCIe4 Gen.4 NVMe SSD			
	SATA	1* SATA3.0 7P Connector (6Gb/s), with 1 * SATA Power Header [1]			
I/O INTERFACE	COM	3* RS232 (COM1/2/3, Header, Full lanes) 2* RS232/TTL (COM4/5, Header, 3 lanes); 1* RS232/RS485/TTL (COM6, Header, 3 lanes) (COM4/5/6 RS232/TTL sel by res, support RS232 by default. COM4/5/6 must be used at the same mode)			
	Ethernet	2* Intel® GbE LAN (10/100/1000 Mbps, RJ45)			
	USB	6* USB3.0; 4 * USB2.0 Internal Headers			
	Video	2* HDMI(TYPE-A), max resolution up to 4096*2160@30Hz			
	Audio	1 * Line-Out + MIC 2in1 3.5mm Jack; With 7.1 channel HD Audio Codec Realtek ALC897; 1 * Amplifier Header			
	SIM	1* Built-in nano-SIM Card Slot connected to M.2 B-key slot			
	Power Supply	12V DC; 1* DC Threaded Jack (5.5* 2.5mm) Optional 9-30V DC PWR module with Terminal Block (2-Pin, 5.08mm)			
	Other	1* 8-bit GPIO header with 4 inputs and 4 outputs, Input voltage range: 0-5V;			
Extended Capabilities	Additional Internal Interface	1* M.2 (NGFF) E-key Slot (PCIe+USB2.0, Support WiFi+BT, 2230) 1* M.2 (NGFF) B-key Slot (PCIe/USB3.0+USB2.0, Support 5G+4G/3G, with 1* nano-SIM Card Slot, 3052)			
	Functionality Extension	COM, LAN, USB, CAN BUS, Wi-Fi, 4G			
Environment	Operating Temperature	-10 ~ 50 °C w/ 0.7m/s Airflow			
	Storage Temperature	-40 ~ 85 °C (-40~185 °F)			
	Relative Humidity	40 °C @ 95%, Non-Condensing			
Physical Characteristics	Dimensions	250* 44* 153 mm (W* H* D) (It has a higher version with 49mm shell)			
	Net Weight	1.5 KG			
Regulation	EMC	CE/FCC Class B, CCC			
	Safety	CE-LVD, RoHS, CCC			

[1]: If the SATA 3.0 SSD is needed, the 55mm height shell is required necessary because of the compact installation space

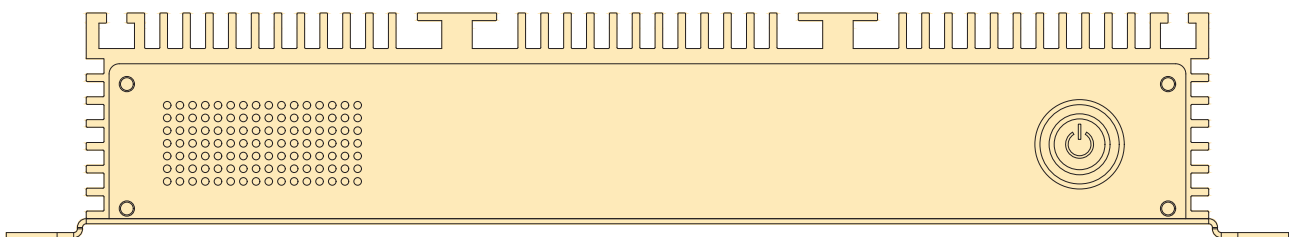
Dimension

Unit:mm

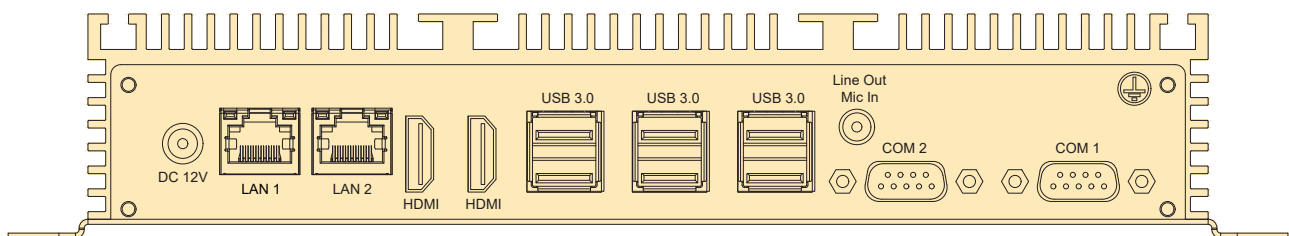


The actual appearance and dimensions are subject to the final configuration

Front Panel External I/O Mechanical Layout/Drawing



Rear Panel External I/O Mechanical Layout/Drawing



Ordering Information

SO-DIMM Slot	M.2 2280 M-key Slot	SATA Connector	M.2 2230 E-key Slot	M.2 3052 B-key Slot	COM headers	GbE LAN
2	1	1	1	1	6	2
USB 3.0 Port	USB 2.0 Headers	HDMI	Line Out + Mic In	Amplifier Header	Nano-SIM Card Slot	Power Supply
6	4	2	1	1	1	DC 12V

!! Note: Custom available for this unit, the actual data is subject to the final configuration

Processors Info & Available List

CPU	Code Name	Total Cores	Total Threads	Max Turbo Frequency	Base Frequency	Cache	TDP	Memory Types	Integrated Graphics
Intel® Core™ I7-1165G7	Tiger Lake	4	8	4.70 GHz	2.80 GHz	12 MB Intel® Smart Cache	12-28W	DDR4	Intel®Iris Xe Graphics; 96Eus
Intel® Core™ I5-1135G7	Tiger Lake	4	8	4.20 GHz	2.40 GHz	8 MB Intel® Smart Cache	12-28W	DDR4	Intel®Iris Xe Graphics; 80Eus
Intel® Core™ I3-1115G4	Tiger Lake	2	4	4.10 GHz	1.70 GHz	4 MB Intel® Smart Cache	12-28W	DDR4	Intel®Iris Xe Graphics; 48Eus
Intel® Celeron® 6305E	Tiger Lake	2	2	-	1.80 GHz	4 MB Intel® Smart Cache	15W	DDR4	Intel UHD Graphics

All products and company name listed are trademarks or trade names of their respective companies.

Packing list

Default Items	Qty
IBOX-104V2-2L6C-11TH Unit	1
AC-to-DC Adapter	1
Power cable 3-pin 150cm	1

Options for default items

Optional Items	Qty
Power cable 3-pin 150cm, USA type	-
Power cable 3-pin 150cm, EU type	-
Power cable 3-pin 150cm, UK type	-
55 mm height shell	-
VESA mount kits	-
Internal fan kit	-

Optional accessories or internal modules for unit

Optional Items	Max Qty	Description
DC9-30V TO DC-12V PWR module	1	Phoenix Terminal connector, Power supply voltage conversion module, connected by header
Isolated 8-bit GPIO, 9-26V	1	Phoenix Terminal connector, connected by jumper
Isolated RS-232	6	DB9 or Phoenix Terminal connector, connected by header
Isolated 8-bit GPIO, 9-24V	1	Phoenix Terminal connector, connected by header
4G Module	1	Connected by M.2 interface
5G Module	1	Connected by M.2 interface
WiFi Module without AP mode	1	Connected by M.2 interface

!! Note: As this product has expansion slots, please consult sales for the specific maximum number of expandable interfaces.