

IBOX-105-6L2C



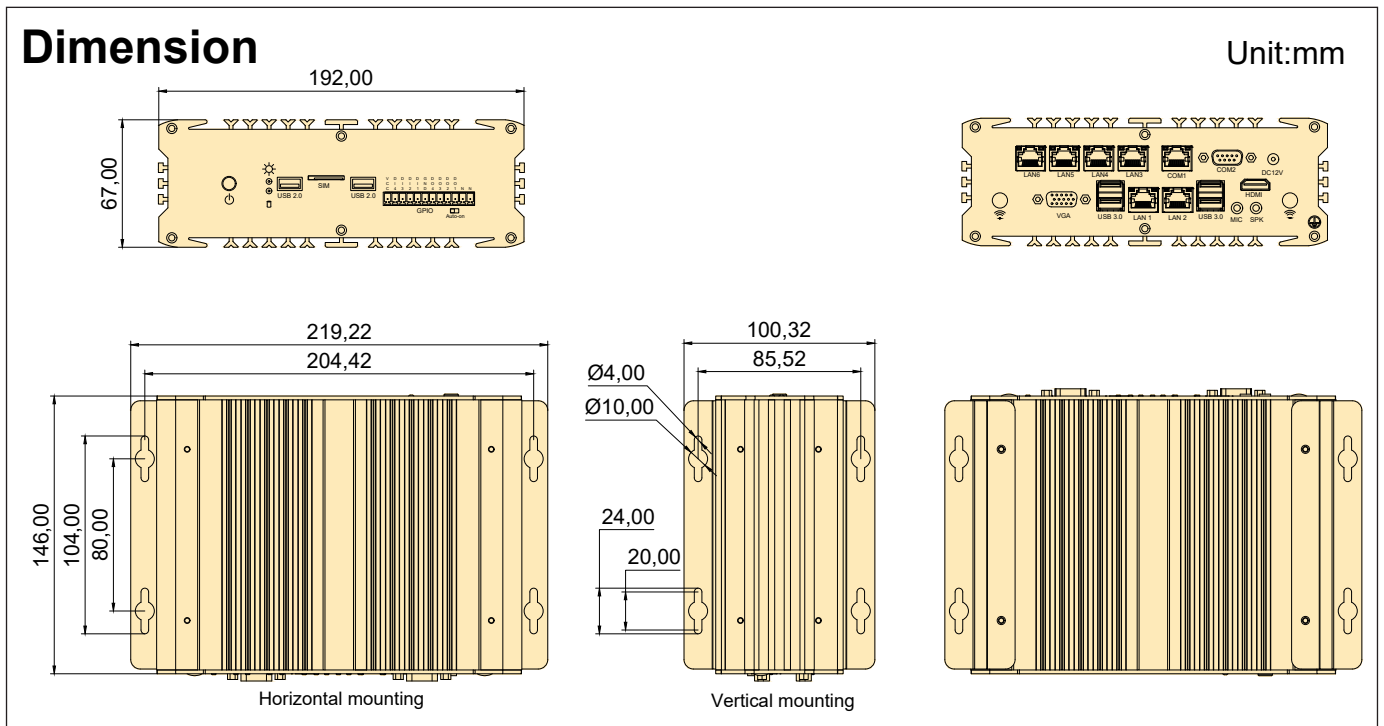
- Full aluminum alloy anti-interference structure
- Modular parts design with strong scalability
- Fully enclosed with fanless cooling system
- Cable-free design for better vibration resistance
- Scientific and reasonable interface layout
- Double board design with diverse interfaces
- Multiple mounting options available



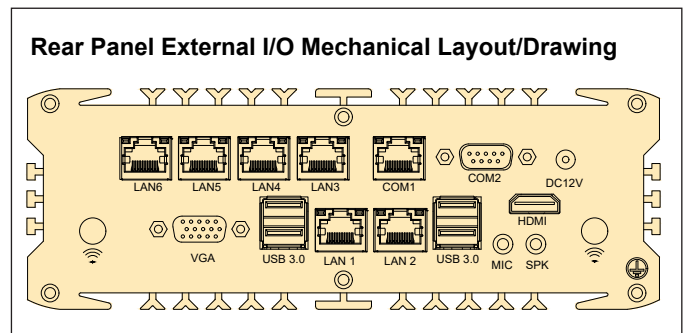
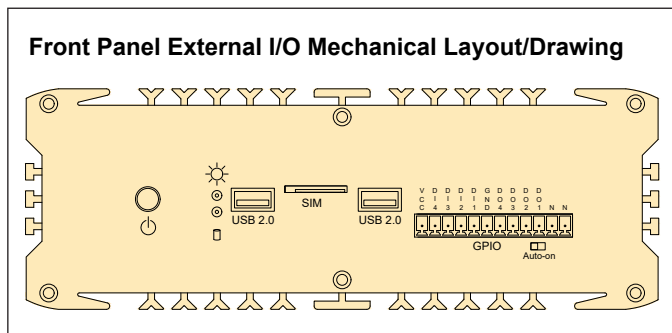
The actual appearance is subject to the final configuration.

Specifications

Model	IBOX-105-6L2C			
Supported OS	Win 7, Win 8, Win 10, Win11, Linux (Ubuntu, Debian, Kali, CentOS, etc.); WES 7; Win 10 IoT			
CPU	Series/ Model	4th~5th Gen. Intel® Core™ Processor	6th~8th Gen. Intel® Core™ Processor Intel® Celeron® 3865U/ 5205U	11th Gen. Intel® Core™ Processor Intel® Celeron® 6305E
	TDP	Up to 15W	Up to 15W	Up to 28W
RAM	Type & Qty	1* SO-DIMM Socket	2* SO-DIMM Socket	2* SO-DIMM Socket
	Frequency	DDR3L-1333/1600 MHz	DDR4-2133/2400 MHz	DDR4-3200 MHz
	Capacity	Up to 8GB	Up to 32GB	Up to 64GB
Storage Device	SATA	1* 2.5" SATA3.0 Bay on board (6Gb/s)		
	MSATA	1* mSATA3.0 slot on board (6Gb/s)		
I/O Interface	COM	1* RS232, RJ45 connector (COM1); 1* RS232/485, DB9 connector (COM2, support RS232/485, switchable by jumper)		
	Ethernet	6* 1.0 GbE LAN, Intel i211, RJ45 only (Intel® Core™ i3-5020U is working with 2* Intel i210+ 4* Intel i211)		2* 2.5 GbE LAN, Intel i225, RJ45 4* 1.0 GbE LAN, Intel i211, RJ45
	USB	2* USB3.0; 4* USB2.0; 1* Internal USB2.0;	4* USB3.0; 2* USB2.0 1* Internal USB 2.0	2* USB3.0; 4* USB2.0; 1* Internal USB2.0;
	Video	1* HDMI, Support 4096x2304@24Hz; 1* VGA, Support 1920x1200@60Hz;	1* HDMI, Support 4096x2304@24Hz; 1* VGA, Support 1920x1200@60Hz;	1* HDMI, Support 4096x2304@60Hz; 1* VGA, Support 1920x1200@60Hz;
	Audio	1* MIC, 1* SPK; With 5.1 channels HD Audio Codec Realtek ALC662	1* MIC, 1* SPK; With 5.1 channels HD Audio Codec Realtek ALC662	1* MIC, 1* SPK; With 7.1 channels HD Audio Codec Realtek ALC897
	SIM	1* External SIM card slot connected to Mini-PCIe		
	Power Supply	12V DC; 1* DC Jack (5.5* 2.5mm)		
	Others	1* 8-bit GPIO (4-Inputs/4-Outputs, 0-5V Input Range) and 1* Remote Switch on Terminal Block (12-Pin, 3.81mm). 1* Auto-On Switch; 1* PS/2 header		
Extended Capabilities	Additional Internal Interface	1* Full Size Mini-PCIe with SIM card slot; (PCIe+USB2.0, PCIe signal is shared with a LAN port)		
Environment	Operating Temperature	-10 ~ 55 °C w/ 0.7m/s Airflow		
	Storage Temperature	-40 ~ 85 °C (-40~185 °F)		
	Relative Humidity	40 °C @ 95%, Non-Condensing		
Physical Characteristics	Dimensions	192* 67* 146 mm (W* H* D)		
	Net Weight	2.05 KG		
Regulation	EMC	CE/FCC Class B, CCC		
	Safety	CE-LVD, RoHS, CCC		



The actual appearance and dimensions are subject to the final configuration



Ordering Information

SO-DIMM Socket	2.5" SATA Bay	mSATA Slot	Full Size Mini-PCIe	RS232 (RJ45)	RS232/485 (DB9)	GbE LAN	USB2.0	USB3.0	Internal USB2.0
1 or 2	1	1	0 or 1	1	1	6	2 or 4	4 or 2	1
HDMI	VGA	MIC	SPK	PS/2	External SIM Card Slot	8-bit GPIO	Auto On Switch	Power Supply	
1	1	1	1	1	1	1	1	DC 12V	

Packing list

Default Items	Qty
IBOX-105-6L2C Unit	1
AC-to-DC Adapter	1
Wall mounting bracket	2
Power cable 3-pin 150cm	1

Options for default items

Optional Items	Qty
Power cable 3-pin 150cm, USA type	-
Power cable 3-pin 150cm, EU type	-
Power cable 3-pin 150cm, UK type	-
VESA mount kits	-
DIN Rail mount kits	-
External Fan Kit For 11th Gen. Solution	-

Processors Info & Available List

CPU	Code Name	Total Cores	Total Threads	Max Turbo Frequency	Base Frequency	Cache	TDP	Memory Types	Integrated Graphics
Intel® Core™ I5-4300U	Haswell	2	4	2.90 GHz	1.90 GHz	3 MB Intel® Smart Cache	15W	DDR3	Intel® HD Graphics 4400
Intel® Core™ I7-4600U	Haswell	2	4	3.30 GHz	2.10 GHz	4 MB Intel® Smart Cache	15W	DDR3	Intel® HD Graphics 4400
Intel® Core™ I3-5020U	Broadwell	2	4	-	2.20 GHz	3 MB	15W	DDR3	Intel® HD Graphics 5500
Intel® Celeron® 3865U	Kaby Lake	2	2	-	1.80 GHz	2 MB Intel® Smart Cache	15W	DDR4	Intel® HD Graphics 610
Intel® Celeron® 5205U	Comet Lake	2	2	-	1.90 GHz	2 MB	15W	DDR4	Intel UHD Graphics
Intel® Core™ I5-6360U	Skylake	2	4	3.10 GHz	2.00 GHz	4 MB Intel® Smart Cache	15W	DDR4	Intel® Iris® Graphics 540
Intel® Core™ I7-6650U	Skylake	2	4	3.40 GHz	2.20 GHz	4 MB Intel® Smart Cache	15W	DDR4	Intel® Iris® Graphics 540
Intel® Core™ I5-7200U	Kaby Lake	2	4	3.10 GHz	2.50 GHz	3 MB Intel® Smart Cache	15W	DDR4	Intel® HD Graphics 620
Intel® Core™ I5-7360U	Kaby Lake	2	4	3.60 GHz	2.30 GHz	4 MB	15W	DDR4	Intel® Iris Plus Graphics 640
Intel® Core™ I7-7600U	Kaby Lake	2	4	3.90 GHz	2.80 GHz	4 MB Intel® Smart Cache	15W	DDR4	Intel® HD Graphics 620
Intel® Core™ I3-8145U	Whiskey Lake	2	4	3.90 GHz	2.10 GHz	4 MB Intel® Smart Cache	15W	DDR4	Intel® UHD Graphics 620
Intel® Core™ I5-8265U	Whiskey Lake	4	8	3.90 GHz	1.60 GHz	6 MB Intel® Smart Cache	15W	DDR4	Intel® UHD Graphics 620
Intel® Core™ I7-8565U	Whiskey Lake	4	8	4.60 GHz	1.80 GHz	8 MB Intel® Smart Cache	15W	DDR4	Intel® UHD Graphics 620
Intel® Celeron® 6305E	Rocket Lake	2	2	-	1.80 GHz	4 MB Intel® Smart Cache	15W	DDR4	Intel UHD Graphics
Intel® Core™ I5-1135G7	Tiger Lake	4	8	4.20 GHz	2.40 GHz	8 MB Intel® Smart Cache	12-28W	DDR4	Intel® Iris Xe Graphics; 80Eus
Intel® Core™ I7-1165G7	Tiger Lake	4	8	4.70 GHz	2.80 GHz	12 MB Intel® Smart Cache	12-28W	DDR4	Intel® Iris Xe Graphics; 96Eus

All products and company name listed are trademarks or trade names of their respective companies.

Optional accessories or internal modules for unit

Optional Items	Max Qty	Description
AI Acceleration Card	1	13 TOPS, Connected by Mini-PCIe interface
Isolated 8-bit GPIO, 9-24V	1	Phoenix Terminal connector, connected by non-standard M.2 interface
Isolated 8-bit GPIO with current loading, 9-26V	1	Digital signal, Phoenix Terminal connector, connected by non-standard M.2 interface
Isolated 15-bit GPIO, 0-5V	1	Digital signal, Phoenix Terminal connector, connected by non-standard M.2 interface
Isolated 15-bit GPIO with 7-in & 8-out, 12-24V	1	Digital signal, Phoenix Terminal connector, connected by non-standard M.2 interface
4G Module	1	Connected by Mini-PCIe interface
WiFi Module without AP mode	1	Connected by Mini-PCIe interface
WiFi Module with AP mode	1	Connected by Mini-PCIe interface
Dual channel CAN-Bus Module	1	Connected by Mini-PCIe interface or M.2 Interface
Single GbE PoE LAN Module	1	Connected by Mini-PCIe interface

!! Note: As this product has expansion slots, please consult sales for the specific maximum number of expandable interfaces.