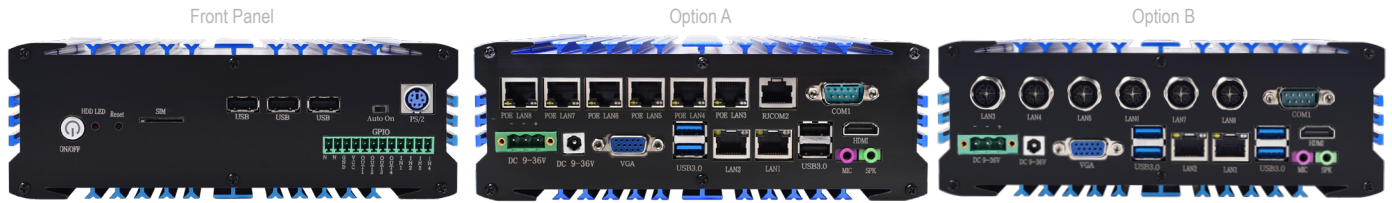


IBOX-105V3-8L2C6P



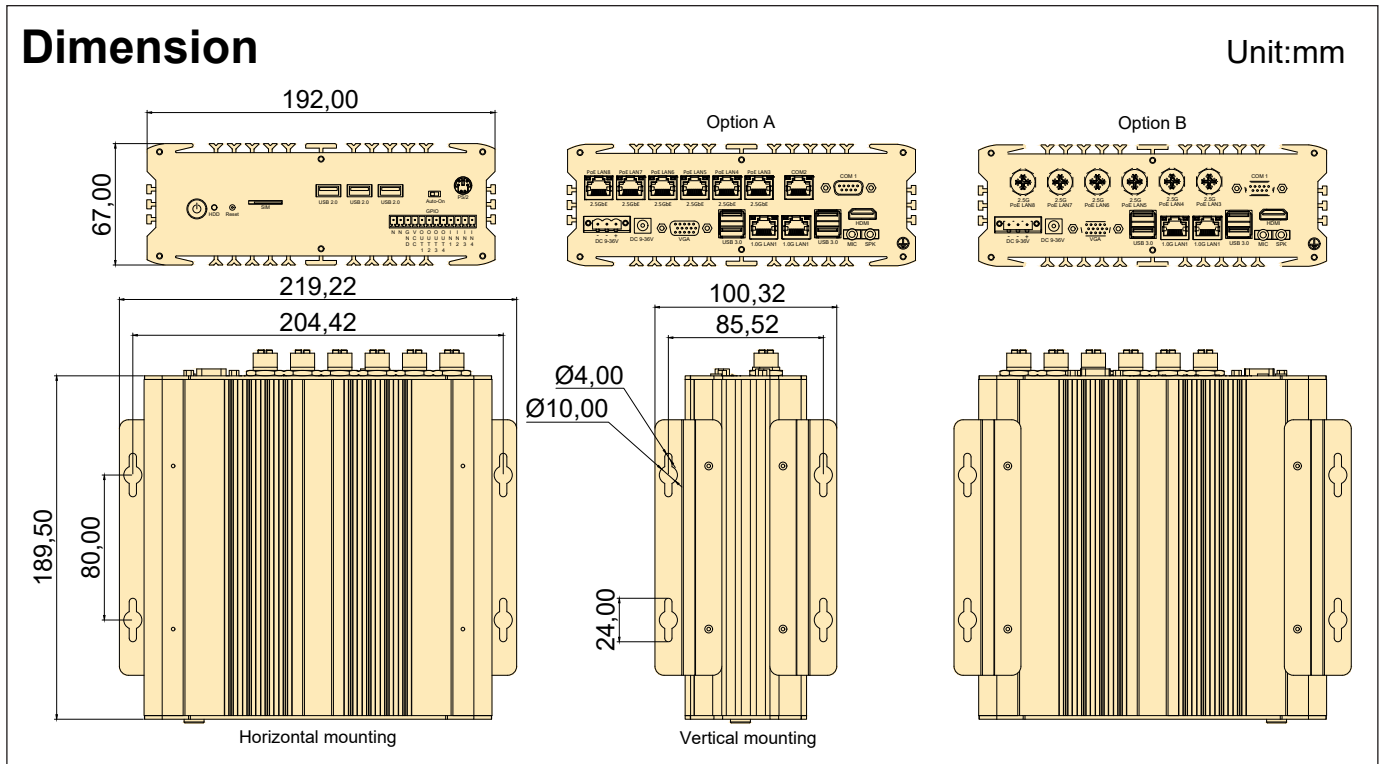
- Multi GbE LAN offer the high-speed data transferring ability
- Modular parts design with strong scalability
- Full aluminum alloy anti-interference structure
- Fully enclosed with fanless cooling system
- Cable-free design for better vibration resistance
- Scientific and reasonable interface layout
- Double board design with diverse interfaces



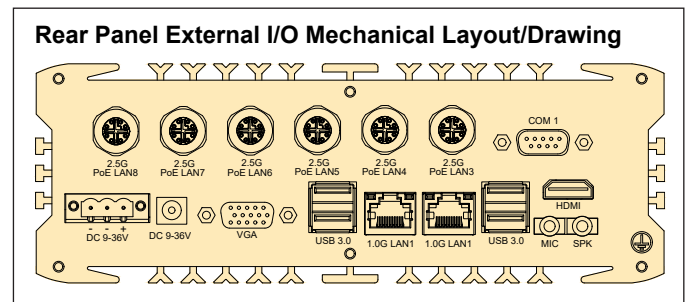
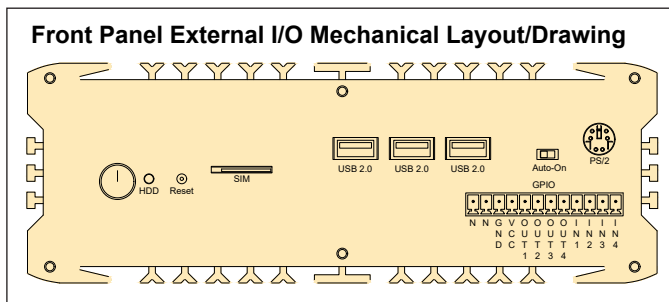
The actual appearance is subject to the final configuration.

Specifications

Model	IBOX-105V3-8L2C6P (Option A, With 6* RJ45 PoE LAN; Option B, With 6* M12 PoE LAN)	
Supported OS	Win7 x64, Win 10 (Version 1809 and above), Win 11, Linux (Kernel 5.16 and above); WES 7; Win 10 IoT	
CPU	Series/ Model	8th Gen. Intel® Core™ Processor
	TDP	Up to 15W
RAM	Type & Qty	2* SO-DIMM Socket
	Frequency	DDR4-2133/2400 MHz
	Capacity	Up to 32GB
Storage Device	SATA	1* 2.5" SATA3.0 Bay on board (6Gb/s)
	MSATA	1* mSATA3.0 slot on board (6Gb/s)
I/O Interface	COM	Option A: 1* RS232/485 with RJ45 connector, 1* RS232/485 with DB9 connector, switchable by jumper; Option B: 1* RS232/485 with DB9 connector, switchable by jumper, 1* RS232 header
	Ethernet with PoE	6* Intel® i226 GbE PoE LAN (Optional RJ45/M12 Connector);
	Ethernet without PoE	2* 1.0 GbE LAN, Intel i211, RJ45
	USB	4* USB3.0; 3* USB2.0; 1* Internal USB 2.0
	Video	1* HDMI, support 4096x2304@24Hz; 1* VGA, support 1920x1200@60Hz;
	Audio	1* MIC, 1* SPK; With 5.1 channels HD Audio Codec Realtek ALC662
	SIM	1* External SIM card slot connected to Mini-PCIe
	Power Supply	9-36V DC; 1* Terminal Block (3-Pin, 5.08mm), 1* DC Jack (5.5* 2.5mm)
	Others	1* 8-bit GPIO (4-Inputs/4-Outputs, 0-5V Input Range) and 1* Remote Switch on Terminal Block (12-Pin, 3.81mm); 1* Auto-On Switch; 1* PS/2 for Keyboard & Mouse;
Extended Capabilities	Additional Internal Interface	1* Full Size Mini-PCIe with SIM card slot; (PCIe+USB2.0, PCIe signal is shared with 1*LAN)
Environment	Operating Temperature	-10 ~ 55 °C w/ 0.7m/s Airflow
	Storage Temperature	-40 ~ 85 °C (-40~185 °F)
	Relative Humidity	40 °C @ 95%, Non-Condensing
Physical Characteristics	Dimensions	192* 67* 189.5 mm (W* H* D)
	Net Weight	2.5 KG (The actual weight is subject to the final configuration)
Regulation	EMC	CE/FCC Class B, CCC
	Safety	CE-LVD, RoHS, CCC



The actual appearance and dimensions are subject to the final configuration



Ordering Information

SO-DIMM Slot	2.5" SATA3.0 Bay	mSATA3.0 Slot	Full Size Mini-PCle	COM	2.5GbE PoE LAN	1.0GbE LAN	USB 3.0	USB 2.0	Internal USB2.0
2	1	1	1	1 or 2	6	2	4	3	1
HDMI	VGA	Mic	SPK	PS/2	External SIM Card Slot	8-bit GPIO	Remote Switch Terminal	Power Supply	
1	1	1	1	1	1	1	1	DC 9-36V	

Processors Info & Available List

CPU	Code Name	Total Cores	Total Threads	Max Turbo Frequency	Base Frequency	Cache	TDP	Memory Types	Integrated Graphics
Intel® Core™ I3-8145U	Whiskey Lake	2	4	3.90 GHz	2.10 GHz	4 MB Intel® Smart Cache	15W	DDR4	Intel® UHD Graphics 620
Intel® Core™ I5-8265U	Whiskey Lake	4	8	3.90 GHz	1.60 GHz	6 MB Intel® Smart Cache	15W	DDR4	Intel® UHD Graphics 620
Intel® Core™ I7-8565U	Whiskey Lake	4	8	4.60 GHz	1.80 GHz	8 MB Intel® Smart Cache	15W	DDR4	Intel® UHD Graphics 620
Intel® Core™ I5-1135G7	Tiger Lake	4	8	4.20 GHz	2.40 GHz	8 MB Intel® Smart Cache	12-28W	DDR4	Intel® Iris Xe Graphics; 80Eus
Intel® Core™ I7-1165G7	Tiger Lake	4	8	4.70 GHz	2.80 GHz	12 MB Intel® Smart Cache	12-28W	DDR4	Intel® Iris Xe Graphics; 96Eus

All products and company name listed are trademarks or trade names of their respective companies.

Packing list

Default Items	Qty
IBOX-105V3-8L2C6P Unit	1
Wall mounting bracket	2
AC-to-DC Adapter	1
Power cable 3-pin 150cm	1

Options for default items

Optional Items	Qty
Power cable 3-pin 150cm, USA type	-
Power cable 3-pin 150cm, EU type	-
Power cable 3-pin 150cm, UK type	-
VESA mount kits	-
DIN Rail mount kits	-
External Fan Kit For 11th Gen. Solution	-

Optional accessories or internal modules for unit

Optional Items	Max Qty	Description
AI Acceleration Card	1	13 TOPS, Connected by Mini-PCIe interface
Isolated 8-bit GPIO, 9-24V	1	Phoenix Terminal connector, connected by non-standard M.2 interface
Isolated 8-bit GPIO with current loading, 9-26V	1	Digital signal, Phoenix Terminal connector, connected by non-standard M.2 interface
Isolated 15-bit GPIO, 0-5V	1	Digital signal, Phoenix Terminal connector, connected by non-standard M.2 interface
Isolated 15-bit GPIO with 7-in & 8-out, 12-24V	1	Digital signal, Phoenix Terminal connector, connected by non-standard M.2 interface
4G Module	1	Connected by Mini-PCIe interface
WiFi Module without AP mode	1	Connected by Mini-PCIe interface or Internal USB
WiFi Module with AP mode	1	Connected by Mini-PCIe interface
Dual channel CAN-Bus Module	1	Connected by Mini-PCIe interface

!! Note: As this product has expansion slots, please consult sales for the specific maximum number of expandable interfaces.