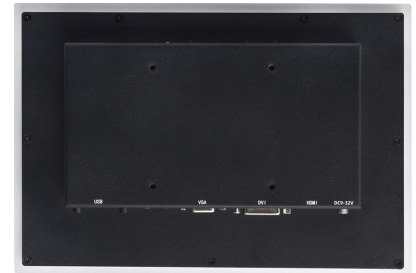


IDP-1010W



- Front panel supports IP65 waterproof and dustproof rating
- Wide range operating temperature supports harsh environment
- Multiple screen types available for different requirements
- Standard integrated frame support different installation way
- Multiple video interfaces with HDMI, VGA & DVI-I
- Ultra-slim body size with amazing compact design



The actual appearance is subject to the final configuration

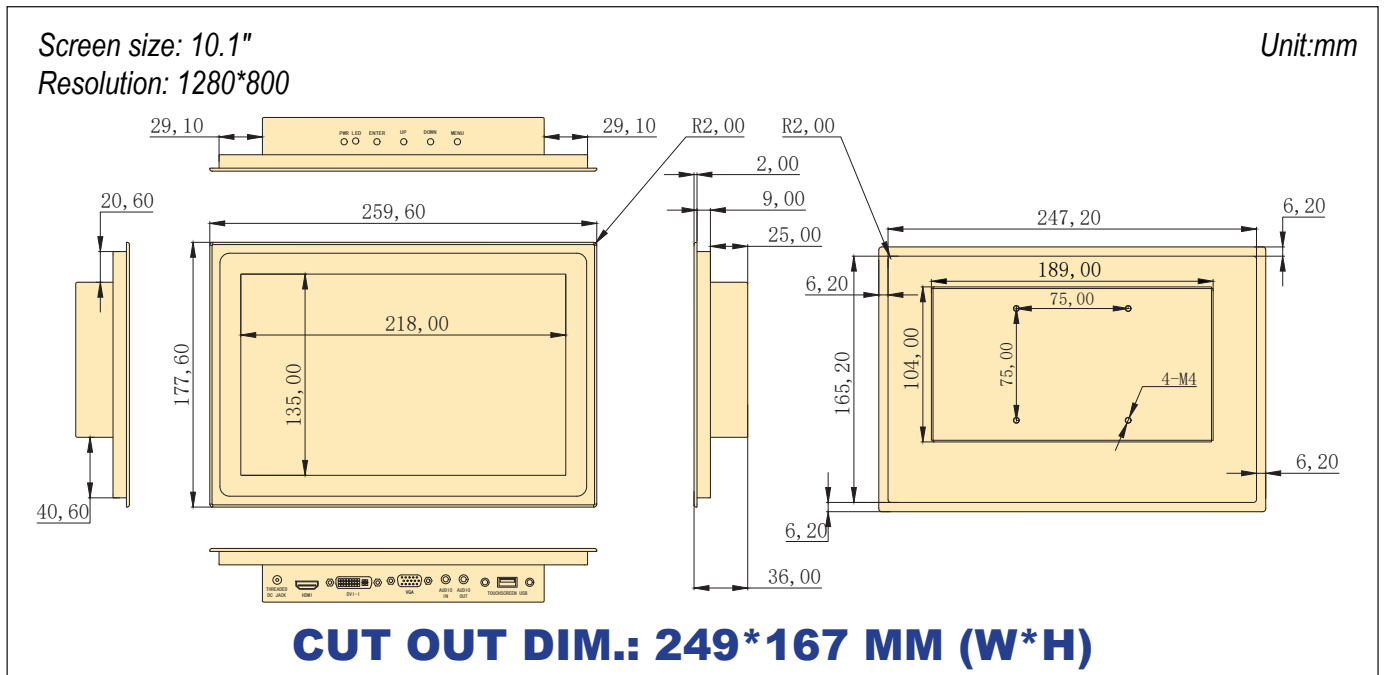
Introduction

The TP-IPC IDP-1010W Embedded Industrial Panel Mount Monitor series offers flexible options for TFT-LCD, touchscreen, signal interface and chassis mounting. The series provides not only IP65 ingress rating at the front surface, but also with standard integrated frame design, supporting rear and VESA mounting which brings the benefits of easy installation and provides flexibility for different applications.

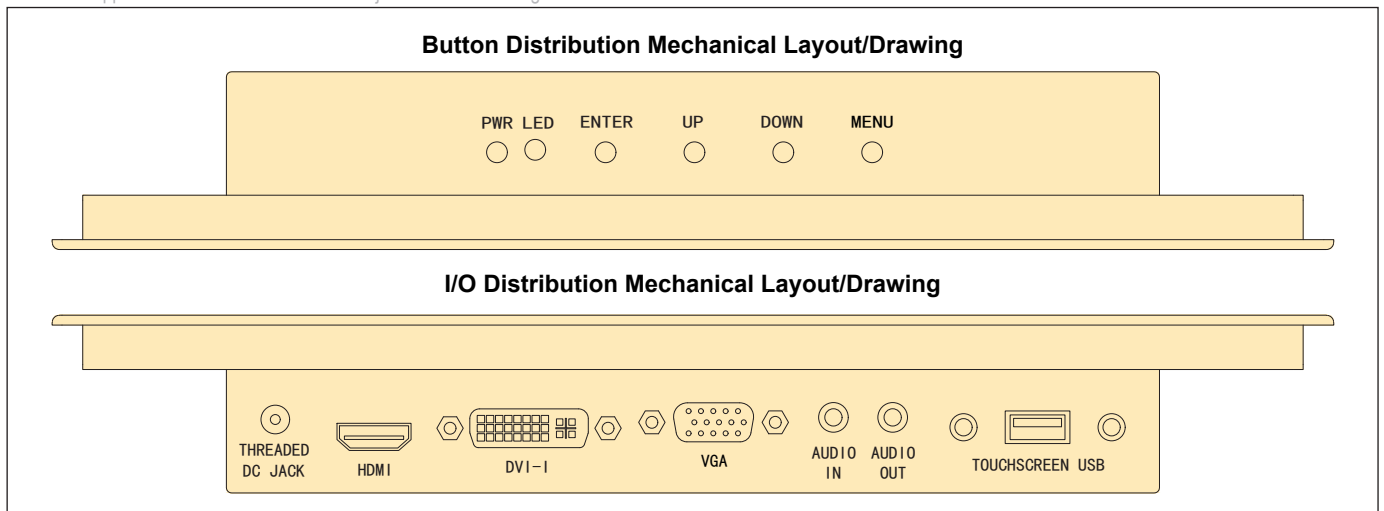
Specifications

| Model | IDP-1010W | IDP-1010W-RT | IDP-1010W-CT | IDP-1010W-NT |
|--------------------------|-----------------------|--|----------------------------------|-------------------------------|
| Display Information | Size & Ratio | 10.1", 16:10 | | |
| | Resolution | 1280* 800 | | |
| | Brightness | 400 (Typ.) | | |
| | Viewing Angle | 85/85/85/85 (Typ.)(CR>=10) | | |
| | Contrast Ratio | 800:1 (Typ.) (Transmission) | | |
| | Display Colors | 16.7m 50% (CIE1931) | | |
| | Display Area | 216.96* 135.6 (mm) | | |
| | Response Time | 10/15 (Typ.) (Tr/Td) ms | | |
| | Frequency | 60Hz | | |
| Pixel pitch | 0.1695* 0.1695 (H* V) | | | |
| Touchscreen | Touchscreen Type | 5-Wire Resistive Touchscreen | Projected Capacitive Touchscreen | Non-Touchscreen |
| | Touchscreen Method | Single point | Ten point | - |
| | Surface | 3H | 6H | Hard coating |
| | Durability | 1 million touches | - | - |
| | Transparency | 75%±8% | 85± 3% | - |
| Environment | Operating Temperature | -10 ~ 50 °C w/ 0.7m/s Airflow | -10 ~ 50 °C w/ 0.7m/s Airflow | -10 ~ 50 °C w/ 0.7m/s Airflow |
| | Storage Temperature | -20 ~ 50 °C (-4~122 °F) | -20 ~ 60 °C (-4~140 °F) | -20 ~ 60 °C (-4~140 °F) |
| | Relative Humidity | 40 °C @ 95%, Non-Condensing | | |
| I/O INTERFACE | Vide & Audio | 1* HDMI, 1* DVI-I, 1* VGA, 1* Audio In, 1* Audio Out | | |
| | Touchscreen Interface | 1* Touchscreen Lockable USB | | |
| | Power Supply | 9-32V DC; 1* DC Threaded Jack (5.5* 2.5mm) | | |
| Physical Characteristics | Dimensions | 259.6* 177.6* 36 mm (W* H* D) | | |
| | Net Weight | 1 KG | | |
| Regulation | EMC | CE/FCC Class B, CCC | | |
| | Safety | CE-LVD, RoHS, CCC | | |

Dimension



The actual appearance and dimensions are subject to the final configuration



Ordering Information

| Part No. | Brightness(cd/m2) | Touch Screen | Video & Audio I/O | Touchscreen Connector | Power Connector | Power Supply |
|--------------|-------------------|----------------------|-------------------------------------|-----------------------|------------------|--------------|
| IDP-1010W-NT | 400 | NA | VGA, DVI, HDMI, Audio In, Audio Out | NA | DC Threaded Jack | 9-32V DC |
| IDP-1010W-CT | 400 | Projected Capacitive | VGA, DVI, HDMI, Audio In, Audio Out | USB | DC Threaded Jack | 9-32V DC |
| IDP-1010W-RT | 400 | 5-Wire Resistive | VGA, DVI, HDMI, Audio In, Audio Out | USB | DC Threaded Jack | 9-32V DC |

Packing List

| Optional Items | Qty |
|--|-----|
| IDP-1010W Unit | 1 |
| AC-to-DC adapter 12V/3A | 1 |
| Power cable 3-pin, 1.5m | 1 |
| Embedded mounting kit | 1 |
| Lockable M cable USB-A(M)/USB-A(M), 1.5m | 1 |
| VGA cable, 1.5m | 1 |

!!! Note: the USB cable is equipped for touchscreen only.

Options For Default Items

| Optional Items | Qty |
|-----------------------------------|-----|
| Power cable 3-pin, 1.5m, USA type | 1 |
| Power cable 3-pin, 1.5m, EU type | 1 |
| Power cable 3-pin, 1.5m, UK type | 1 |
| Desktop support bracket | 1 |
| Wall-mounted VESA bracket | 1 |
| HDMI cable, 1.5m | 1 |
| DVI cable, 1.5m | 1 |

Optional Accessories

| Optional Items | Qty | Description |
|--|-----|--|
| M Cable 9P/9P (Touchscreen RS-232 cable) | - | 2/3/5/10/15m |
| Lockable M cable USB-A(M)/USB-A(M) | - | 2/3m |
| Rotatable wall-mounted VESA bracket | - | 75*75mm |
| Advanced touch-module | - | Support touch function even when there is water on the panel |
| VGA cable | - | 2/3/5/10/15m |
| HDMI cable | - | 2/3/5/10/15m |
| DVI cable, 1.5m | - | 2/3/5/10/15m |