

# IPPC-104V2-2L6C-11TH-09S



- 11th Gen Intel Core/ Celeron CPU with Intel® Iris® Xe Graphics
- Ultra-thin design, overall thickness is under 60mm;
- Narrow bezel design bring the more compact overall size;
- Aluminum alloy cooling backshell , sealed and fanless system design, dustproof, anti-vibration and anti-interference;
- Rich I/O interface and expansion slot with 3\* M.2, support SSD, WiFi+BT, 4G/5G

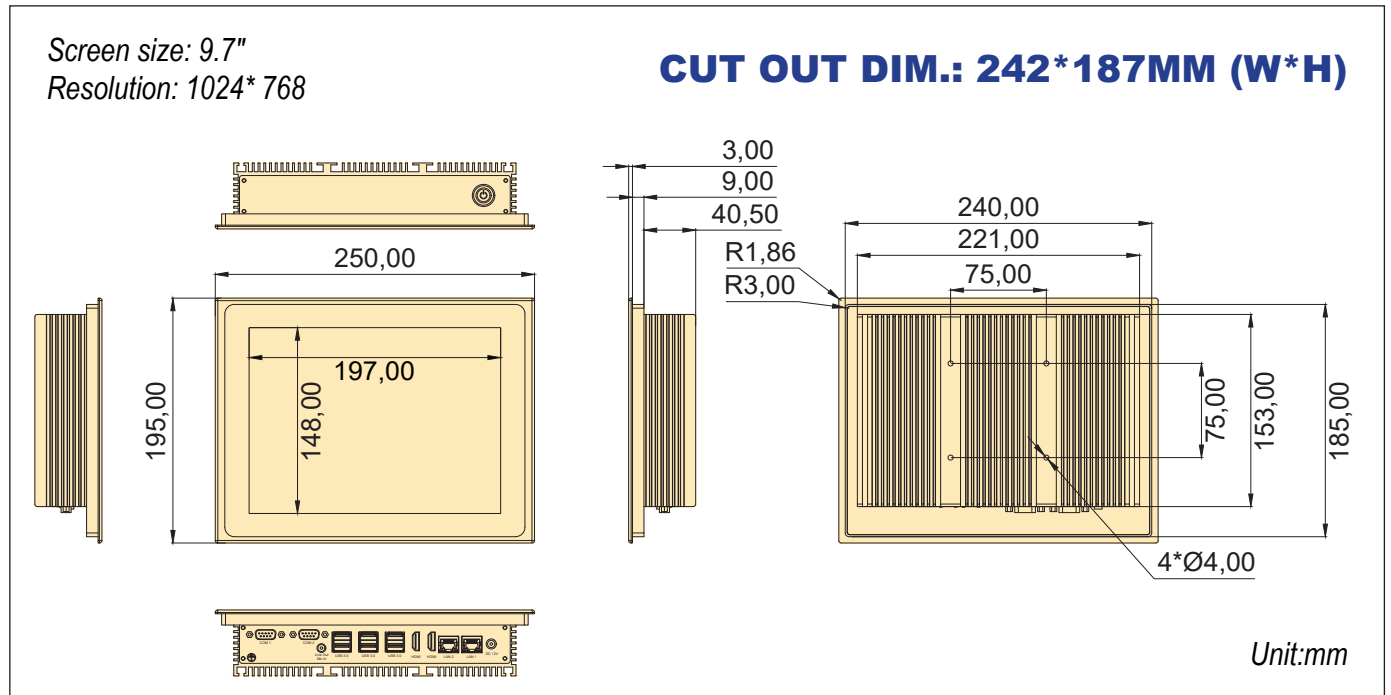


## Specifications

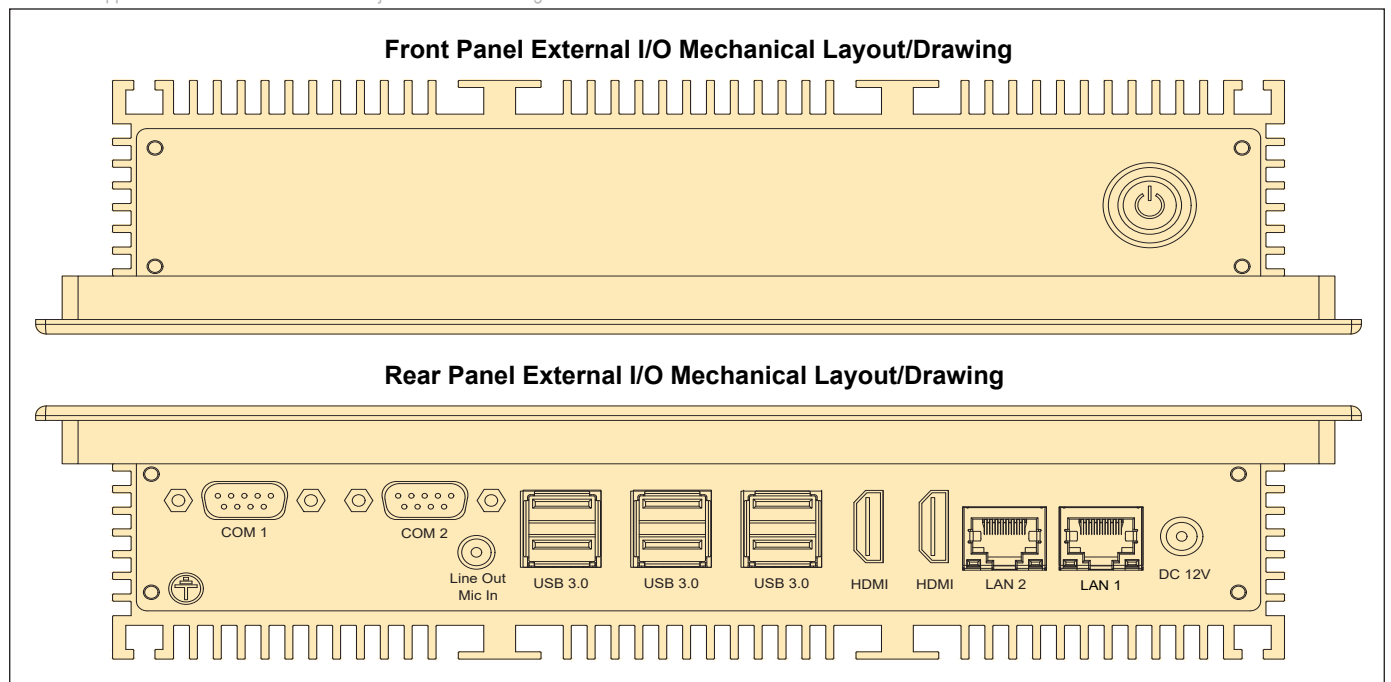
The actual appearance is subject to the final configuration

LCD Display		Touchscreen			
Display Type	9.7" TFT LCD (LED backlight)	Touchscreen Type	5-Wire Resistive	Projected Capacitive	Non-Touchscreen
Resolution	1024*768	Touchscreen Method	Single point	Ten point	-
Luminance	350 cd/m2 (Typ.)	Surface	3H	6H	6H
Viewing Angle	70/70/60/70 (Typ.)(CR>=10)	Durability	1 million touches	-	-
Contrast Ratio	500:1 (Typ.) ( Transmission )	Transparency	75%±8%	85±3%	>88%
System					
CPU	Model	Intel® Core™ i7-1165G7	Intel® Core™ i5-1135G7	Intel® Core™ i3-1115G4	Intel® Celeron® 6305E
	Graphic	Intel® Iris® Xe Graphics, Up to 96 EUs, 1.3Ghz	Intel® Iris® Xe Graphics, Up to 80 EUs, 1.3Ghz	Intel® UHD Graphics, up to 48 EUs, 1.25Ghz	
RAM	SO-DIMM	2* non-ECC SO-DIMM Socket, support DDR4-3200 MHz, up to 64GB			
Storage	M.2	1* M.2 (NGFF) 2280 M-key Slot, support PCIe4 NVMe/ SATA3.0 SSD (PCIe x4 NVMe /SATA SSD sel by res, support SATA SSD by default. Intel® Core™ processor support Gen4 NVMe SSD, Intel® Celeron® processor support Gen3 NVMe SSD)			
Supported OS	Windows & Linux	Win 8, Win 10; Win 10 IoT, Ubuntu, Dbian, Kali, CentOS, etc.			
I/O INTERFACE	COM	3 * RS232 (COM1/2/3, Header, Full lanes); 2 * RS232/TTL (COM4/5, Header, 3 lanes) ; 1 * RS232/RS485/TTL (COM6, Header, 3 lanes) (COM4/5/6 RS232/TTL sel by res, support RS232 by default. COM4/5/6 must be used at the same mode)			
	Ethernet	2 * Intel® GBE LAN Chip (10/100/1000 Mbps, RJ45)			
	USB	6* USB3.0; 4 * USB2.0 Internal Headers			
	Video	2* HDMI(TYPE-A), max resolution up to 4096*2160@30Hz			
	Audio	1 * Line-Out + MIC 2in1 3.5mm Jack; With 7.1 channel HD Audio Codec Realtek ALC897; 1 * Amplifier Header			
	SIM	1* Built-in nano-SIM Card Slot connected to M.2 B-key slot			
	Power Supply	12V DC; 1* DC Threaded Jack (5.5* 2.5mm) Optional 9-30V DC PWR module with Terminal Block (2-Pin, 5.08mm)			
Other	1* 8-bit GPIO header with 4 inputs and 4 outputs, Input voltage range: 0-5V;				
Extended Capabilities	Additional Internal Interface	1* M.2 (NGFF) E-key Slot (PCIe+USB2.0, Support WiFi+BT, 2230) 1* M.2 (NGFF) B-key Slot (PCIe/USB3.0+USB2.0, Support 5G+4G/3G, with 1* nano-SIM Card Slot, 3052)			
	Environment	Operating Temperature	Non-Touch: 0~50°C; Capacitive: -20~60°C; (w/ 0.7m/s Airflow)		
Physical Characteristics	Storage Temperature	Non-Touch: 0 ~ 50°C; Capacitive: -20 ~ 60°C			
	Relative Humidity	40 °C @ 95%, Non-Condensing			
	Dimensions	250*195*52.5 mm			
Regulation	Net Weight	Around 2kg (The final weight is subject to actual ordering configuration)			
	EMC	CE/FCC Class B, CCC			
	Safety	CE-LVD, RoHS, CCC			

### Dimension Drawings



The actual appearance and dimensions are subject to the final configuration



### Processors Information

CPU	Code Name	Total Cores	Total Threads	Max Turbo Frequency	Base Frequency	Cache	TDP	Memory Types	Integrated Graphics
Intel® Core™ I7-1165G7	Tiger Lake	4	8	4.70 GHz	2.80 GHz	12 MB Intel® Smart Cache	12-28W	DDR4	Intel®Iris Xe Graphics; 96Eus
Intel® Core™ I5-1135G7	Tiger Lake	4	8	4.20 GHz	2.40 GHz	8 MB Intel® Smart Cache	12-28W	DDR4	Intel®Iris Xe Graphics; 80Eus
Intel® Core™ I3-1115G4	Tiger Lake	2	4	4.10 GHz	1.70 GHz	4 MB Intel® Smart Cache	12-28W	DDR4	Intel®Iris Xe Graphics; 48Eus
Intel® Celeron® 6305E	Tiger Lake	2	2	-	1.80 GHz	4 MB Intel® Smart Cache	15W	DDR4	Intel UHD Graphics

All products and company name listed are trademarks or trade names of their respective companies.

## Ordering Information

SO-DIMM Slot	M.2 2280 M-key Slot	M.2 2230 E-key Slot	M.2 3052 B-key Slot	COM headers	GbE LAN	
2	1	1	1	6	2	
USB 3.0 Port	USB 2.0 Headers	HDMI	Line Out + Mic In	Amplifier Header	Nano-SIM Card Slot	Power Supply
6	4	2	1	1	1	DC 12V

!! Note: Custom available for this unit, the actual data is subject to the final configuration

Model	Aspect Ratio	Screen Size	Touch Function Support	Resolution (H*V)	Brightness (Typ.)	Viewing Angle (Typ.) (CR>=10)	Cutout Dimension (W*H)	Device Dimension (W*H*D)	N.W.	Operating Temp./ Storage Temp.
IPPC-104V2-2L6C-11TH-09S-NT	4:3	9.7"	Non-Touch	1024*768	350 cd/m²	70/70/60/70	242*187 mm	250*195*52.5 mm	2 kg	-20~70°C/ -30 ~ 80°C
IPPC-104V2-2L6C-11TH-09S-CT	4:3	9.7"	Capacitive Touch	1024*768	350 cd/m²	70/70/60/70	242*187 mm	250*195*52.5 mm	2 kg	-20~70°C/ -20 ~ 70°C
IPPC-104V2-2L6C-11TH-09S-RT	4:3	9.7"	Resistive Touch	1024*768	350 cd/m²	70/70/60/70	242*187 mm	250*195*52.5 mm	2 kg	-10~50°C/ -20 ~ 50°C

## Packing List

Default Items	Qty
IPPC-104V2-2L6C-11TH-09S Unit	1
AC-to-DC Adapter	1
Power Cable 3-pin 150cm	1

## Options for Default items

Optional Items	Qty
Power Cable 3-pin 150cm, USA type	-
Power Cable 3-pin 150cm, EU type	-
Power Cable 3-pin 150cm, UK type	-
VESA mount kits	-

## Optional accessories or internal modules for unit

Optional Items	Max Qty	Description
DC9-30V TO DC-12V PWR module	1	PCB, Power supply voltage conversion module, connected by header
Isolated 8-bit GPIO, 9-26V	1	Phoenix Terminal connector, connected by jumper
Isolated RS-232	6	DB9 or Phoenix Terminal connector, connected by header
Isolated 8-bit GPIO, 9-24V	1	Phoenix Terminal connector, connected by header
4G Module	1	Connected by M.2 interface
5G Module	1	Connected by M.2 interface
WiFi Module without AP mode	1	Connected by M.2 interface

!! Note: As this product has expansion slots, please consult sales for the specific maximum number of expandable interfaces.