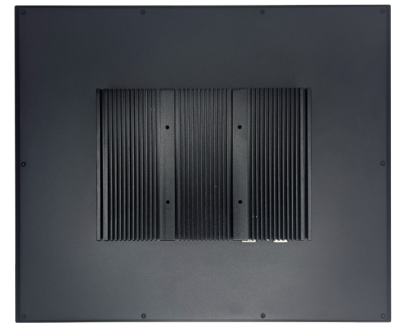


IPPC-104V2-2L6C-19S



- Projected capacitive (default) or resistive (by request) touchscreen, also available for non-touch screen;
- Ultra-thin design, overall thickness is under 60mm;
- Narrow bezel design bring the more compact overall size;
- Aluminum alloy cooling backshell, sealed and fanless system design, dustproof, anti-vibration and anti-interference;
- Support a variety of interface customization.



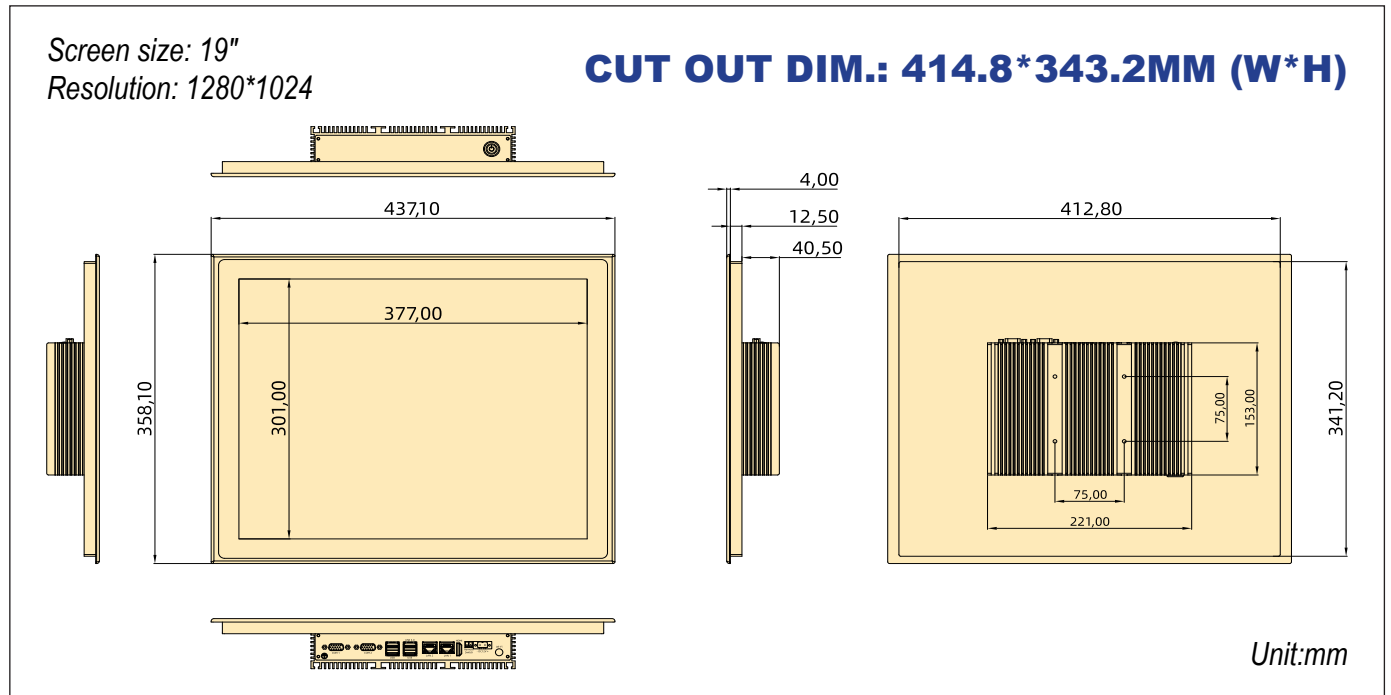
Specifications

The actual appearance is subject to the final configuration

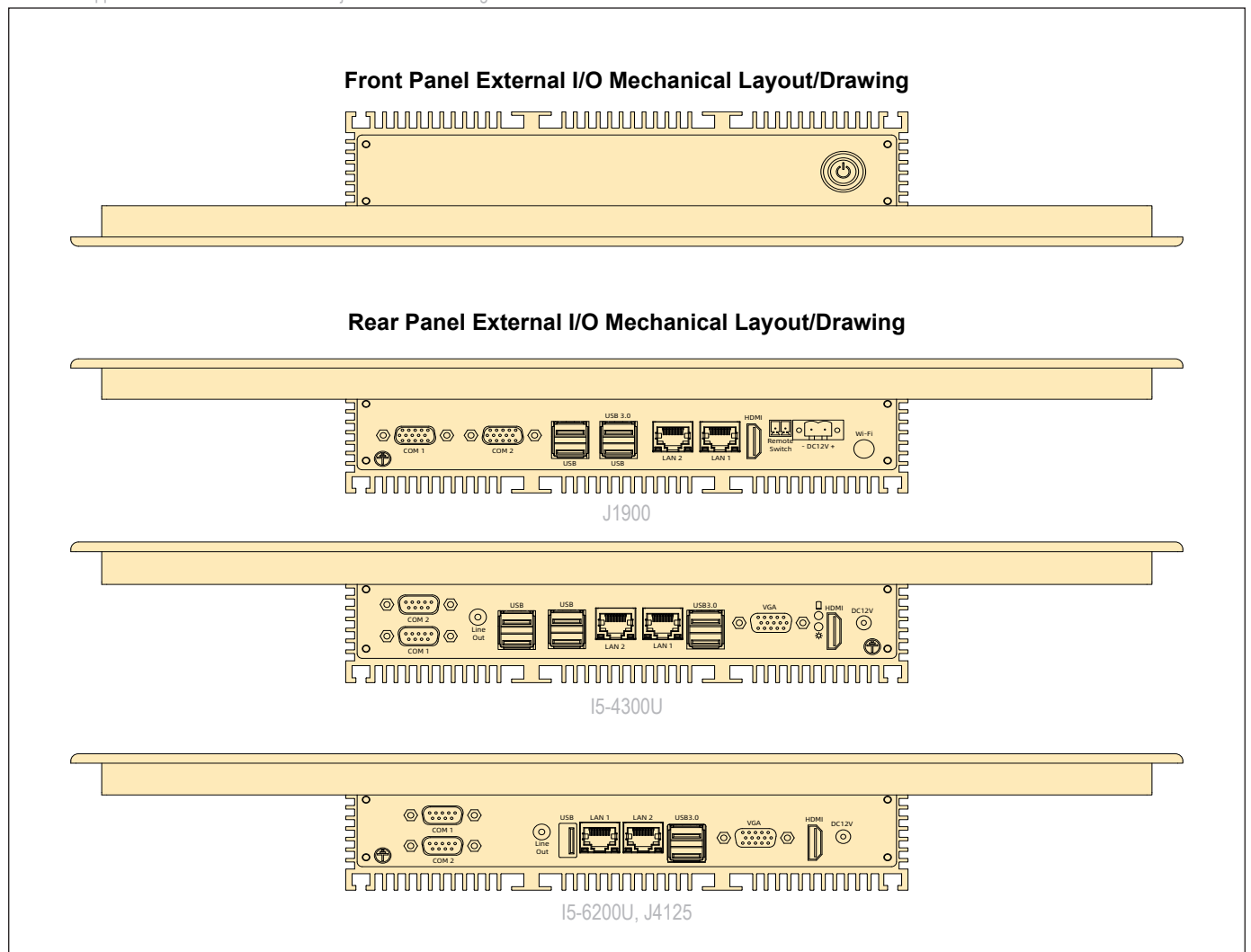
LCD Display		Touchscreen			
Display Type	19" TFT LCD (LED backlight)	Touchscreen Type	5-Wire Resistive	Projected Capacitive	Non-Touchscreen
Resolution	1280*1024	Touchscreen Method	Single point	Ten point	-
Luminance	250 cd/m2 (Typ.)	Surface	3H	6H	6H
Viewing Angle	85/85/80/80 (Typ.)(CR>=10)	Durability	1 million touches	-	-
Contrast Ratio	1000 : 1 (Typ.) (Transmission)	Transparency	75%±8%	85± 3%	> 88%

System					
CPU	Model	Intel® Celeron® J1900	Intel® Core™ I5-4300U	Intel® Core™ I5-6200U	Intel® Celeron® J4125
RAM	Type&Qty	1* SO-DIMM Socket	1* SO-DIMM Socket	1* SO-DIMM Socket	1* SO-DIMM Socket
	Frequency	DDR3L-1333 MHz	DDR3L-1333/1600 MHz	DDR4 2133 MHz	DDR4 2400 MHz
	Capacity	Up to 8GB	Up to 8GB	Up to 32GB	Up to 8GB
Storage	MSATA	1* mSATA2.0 slot on board (3Gb/s)	1* mSATA3.0 slot on board (6Gb/s)		
Supported OS	Windows & Linux	Win 7, Win 8, Win 10, WES 7; Win 10 IoT, Ubuntu, Debian, Kali, CentOS, etc.)			
I/O INTERFACE	COM	2* RS232/485 (COM1-2, DB9) 4* RS232 (COM3-6, Header)	1* RS232/422/485 (COM2) 1* RS232/485 (COM3) 4* RS232 (COM1/4/5/6) All headers	2* RS232/485 (COM1/3) 4* RS232 (COM2/4/5/6) All headers	2* RS232/422/485 (COM2/3) 4* RS232 (COM1/4/5/6) All headers
	Ethernet	2* Realtek 8111H GbE LAN	2* Intel® i211 GbE LAN	2* Intel® i211 GbE LAN	2* Realtek 8111H GbE LAN
	USB	3* USB2.0, 1* USB3.0 5* USB2.0 Headers	4* USB2.0, 2* USB3.0 2* USB2.0 Headers	1* USB2.0, 2* USB3.0 4* USB2.0 Headers	1* USB2.0, 2* USB3.0 4* USB2.0 Headers
	Video	1* HDMI, 1920x1200@60Hz 1* VGA header	1* HDMI, 3280x2000@60Hz 1* VGA, 1920x1200@60Hz	1* HDMI, 4096x2304@24Hz 1* VGA, 1920x1200@60Hz	1* HDMI, 4096x2160@30Hz 1* VGA, 1920x1200@60Hz
	Audio	1*SPK header; With 5.1 channels HD Audio Codec Realtek ALC662	1* SPK; With 5.1 channels HD Audio Codec Realtek ALC662	1* SPK; With 2 channels USB Audio Codec HS-100B	1* SPK; With 5.1 channels HD Audio Codec Realtek ALC662
	SIM	1* Built-in SIM card slot connected to Mini-PCIe			
	Power Supply	12V DC; 1* Terminal Block (2-Pin, 5.08mm);	12V DC; 1* DC Jack (5.5* 2.5mm); Optional 9-30V DC PWR module with Terminal Block (2-Pin, 5.08mm)		
	Other	1* 8-bit GPIO header; 1* Remote Switch Terminal (2-Pin, 3.81mm)	1* 8-bit GPIO header; Optional: 1* Terminal Block (4-Pin, 3.81mm Pitch) with Remote Switch and Power Indicator		
Extended Capabilities	Additional Internal Interface	1* Full Size Mini-PCIe with SIM card slot (PCIe+USB2.0)			
Environment	Operating Temperature	Non-Touch: -20~70°C; Capacitive: -20~70°C; Resistive: -10~50°C; (w/ 0.7m/s Airflow)			
	Storage Temperature	Non-Touch: -20 ~ 70°C; Capacitive: -20 ~ 70°C; Resistive: -20 ~ 50°C			
	Relative Humidity	40 °C @ 95%, Non-Condensing			
Physical Characteristics	Dimensions	437.1*358.1*57 mm			
	Net Weight	Around 0.545kg (The final weight is subject to actual ordering configuration)			
Regulation	EMC	CE/FCC Class B, CCC			
	Safety	CE-LVD, RoHS, CCC			

Dimension Drawings



The actual appearance and dimensions are subject to the final configuration



Processors Information

CPU	Code Name	Total Cores	Total Threads	Max Turbo Frequency	Base Frequency	Cache	TDP	Memory Types	Integrated Graphics
Intel® Celeron® J1900	Bay Trail	4	4	-	2.00 GHz	2 MB L2 Cache	10W	DDR3	Intel® HD Graphics
Intel® Core™ I5-4300U	Haswell	2	4	2.90 GHz	1.90 GHz	3 MB Intel® Smart Cache	15W	DDR3	Intel® HD Graphics 4400
Intel® Core™ I5-6200U	Skylake	2	4	2.80 GHz	2.30 GHz	3 MB Intel® Smart Cache	15W	DDR4	Intel® HD Graphics 4400
Intel® Celeron® J4125	Gemini Lake	4	4	-	2.00 GHz	4 MB	10W	DDR4	Intel® UHD Graphics 600

All products and company name listed are trademarks or trade names of their respective companies.

Ordering Information

CPU	SO-DIMM Socket	mSATA	Mini PCIe	COM Interface	GbE LAN	USB 2.0	USB 3.0	Internal USB 2.0 Headers	HDMI	VGA	SPK	SIM Card Slot	8-bit GPIO Header	Power Supply
Intel® Celeron® J1900	1*DDR3L	1	1	6	2	3	1	5	1	1* Header	-	1	1	DC 12V
Intel® Core™ I5-4300U	1*DDR3L	1	1	6	2	4	2	2	1	1	1	1	1	DC 12V
Intel® Core™ I5-6200U	1*DDR4	1	1	6	2	1	2	4	1	1	1	1	1	DC 12V
Intel® Celeron® J4125	1*DDR4	1	1	6	2	1	2	4	1	1	1	1	1	DC 12V

!! Note: Custom available for this unit, the actual data is subject to the final configuration

Model	Aspect Ratio	Screen Size	Touch Function Support	Resolution (H*V)	Brightness (Typ.)	Viewing Angle (Typ.) (CR>=10)	Cutout Dimension (W*H)	Device Dimension (W*H*D)	N.W.	Operating Temp./ Storage Temp.
IPPC-104V2-2L6C-19S-NT	5:4	19"	Non-Touch	1280*1024	250 cd/m ²	85/85/80/80	414.8*343.2 mm	437.1*358.1*57 mm	5.45 kg	0~50°C/ -20 ~ 60°C
IPPC-104V2-2L6C-19S-CT	5:4	19"	Capacitive Touch	1280*1024	250 cd/m ²	85/85/80/80	414.8*343.2 mm	437.1*358.1*57 mm	5.45 kg	0~50°C/ -20 ~ 60°C
IPPC-104V2-2L6C-19S-RT	5:4	19"	Resistive Touch	1280*1024	250 cd/m ²	85/85/80/80	414.8*343.2 mm	437.1*358.1*57 mm	5.45 kg	0~50°C/ -20 ~ 50°C

Packing list

Default Items	Qty
IPPC-104V2-2L6C-19S Unit	1
AC-to-DC Adapter	1
Power cable 3-pin 150cm	1
Embedded mount kit	1

Options for default items

Optional Items	Qty
Power cable 3-pin 150cm, USA type	-
Power cable 3-pin 150cm, EU type	-
Power cable 3-pin 150cm, UK type	-
VESA mount kits	-

Optional accessories or internal modules for unit

Optional Items	Max Qty	Description
DC9-30V TO DC 12V PWR module	1	Phoenix Terminal connector, Power supply voltage conversion module, connected by header
Isolated 8-bit GPIO, 9-26V	1	Phoenix Terminal connector, connected by jumper
Isolated RS-232	6	DB9 or Phoenix Terminal connector, connected by header
Isolated 8-bit GPIO, 9-24V	1	Phoenix Terminal connector, connected by header
4G Module	1	Connected by Mini-PCIe interface
WiFi Module without AP mode	1	Connected by Mini-PCIe interface
WiFi Module with AP mode	1	Connected by Mini-PCIe interface

!! Note: As this product has expansion slots, please consult sales for the specific maximum number of expandable interfaces.