

IBOX-103-4L2C-J4125



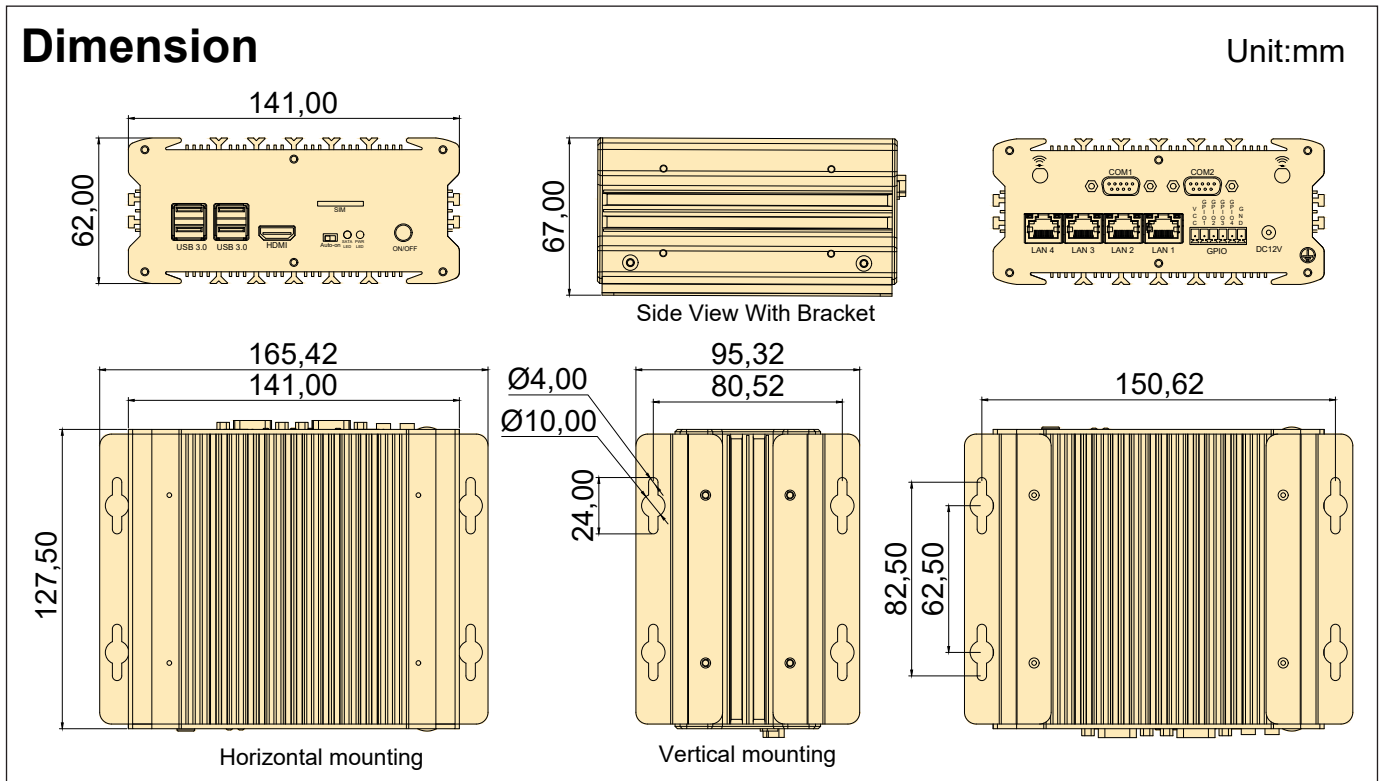
- Full aluminum alloy anti-interference structure
- Modular parts with strong scalability
- Fully enclosed with fanless cooling system
- Cable-free design for better vibration resistance
- Scientific and reasonable interface layout
- Double board design with diverse interfaces



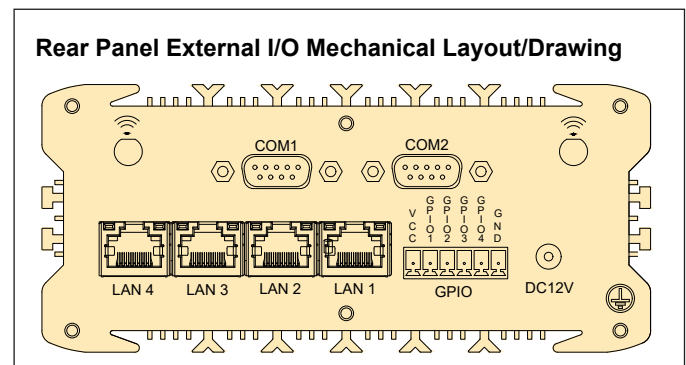
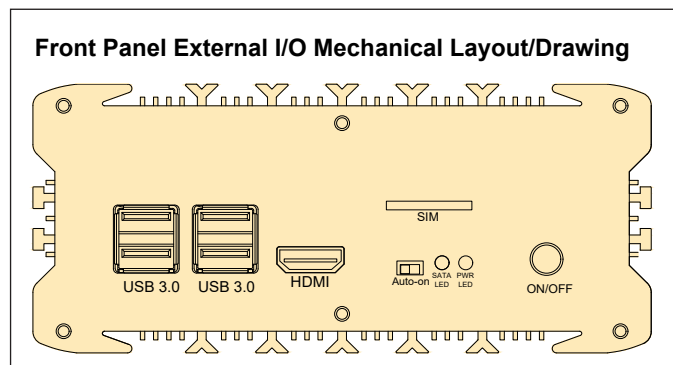
The actual appearance is subject to the final configuration.

Specifications

MODEL	IBOX-103-4L2C-J4125	
Supported OS	Win 7, Win 8, Win 10, Win11, Linux (Ubuntu, Debian, Kali, CentOS, etc.); WES 7; Win 10 IoT	
CPU	Intel® Celeron® J4125, 4 Cores, 4 Threads, Burst Fre. 2.70 GHz, Base Fre. 2.00 GHz, TDP 10W	
RAM	SO-DIMM	1* DDR4 SO-DIMM Socket, Dual-channel 2400 MHz, up to 8GB
Storage Devices	SATA	1* 2.5" SATA3.0 Bay on board (6Gb/s)
	MSATA	1* mSATA3.0 slot on board (6Gb/s)
I/O INTERFACE	COM	2* DB9 COM ports, COM1 support RS232+COM2 support RS232/485
	Ethernet	4* Intel® I225V 2.5G GbE LAN, support network wake-up/PXE function
	USB	4* USB 3.0
	Video	1* HDMI, support 4096x2304@24Hz
	SIM	1* External SIM card slot connected to Mini-PCIe
	Power supply	12V DC; 1* DC Jack (5.5* 2.5mm)
	Other	1* 4-bit GPIO, Terminal Block (6-Pin, 3.81mm), 4-Inputs/4-Outputs, 0-5V Input Range; 1* Auto-On Switch
Extended Capabilities	Additional Internal Interface	1* Full Size Mini-PCIe with SIM card slot (PCIe+USB2.0); 1* M.2 2230 E-key Slot (PCIe+USB2.0, support WiFi+BT)
Environment	Operating Temperature	-10 ~ 55 °C w/ 0.7m/s Airflow
	Storage Temperature	-40 ~ 85 °C (-40~185 °F)
	Relative Humidity	40 °C @ 95%, Non-Condensing
Physical Characteristics	Dimensions	141* 62* 127.5 mm (W* H* D)
	Net Weight	1.2 KG
Regulation	EMC	CE/FCC Class B, CCC
	Safety	CE-LVD, RoHS, CCC



The actual appearance and dimensions are subject to the final configuration



Ordering Information

SO-DIMM Socket	mSATA Slot	2.5" SATA3.0 Bay	Full Size Mini-PCle	M.2 2230 E-key Slot	RS232	RS232/RS485	GbE LAN	USB 3.0
1	1	1	1	1	1	1	4	4
HDMI	Auto-On Switch	External SIM Card Slot	4-bit GPIO	Power Supply				
1	1	1	1	1	DC 12V			

Processors Info & Available List

CPU	Code Name	Total Cores	Total Threads	Max Turbo Frequency	Base Frequency	Cache	TDP	Memory Types	Integrated Graphics
Intel® Celeron® J4125	Tiger Lake	4	4	-	2.00 GHz	4 MB	10W	DDR4	Intel® UHD Graphics 600

All products and company name listed are trademarks or trade names of their respective companies.

Packing list

Default Items	Qty
IBOX-103-4L2C-J4125 Unit	1
AC-to-DC Adapter	1
Wall mounting bracket	2
Power cable 3-pin 150cm	1

Options for default items

Optional Items	Qty
Power cable 3-pin 150cm, USA type	-
Power cable 3-pin 150cm, EU type	-
Power cable 3-pin 150cm, UK type	-
VESA mount kits	-
DIN Rail mount kits	-

Optional accessories or internal modules for unit

Optional Items	Max Qty	Description
AI Acceleration Card	1	13 TOPS, Connected by Mini-PCIe interface
4G Module	1	Connected by Mini-PCIe interface
WiFi Module without AP mode	1	Connected by Mini-PCIe interface or M.2 interface
WiFi Module with AP mode	1	Connected by Mini-PCIe interface
Dual channel CAN-Bus Module	1	Connected by Mini-PCIe interface

!! Note: As this product has expansion slots, please consult sales for the specific maximum number of expandable interfaces.