

IDP-1950W



- Front panel supports IP65 waterproof and dustproof rating
- Wide range operating temperature supports harsh environment
- Multiple screen types available for different requirements
- Standard integrated frame support different installation way
- Multiple video interfaces with HDMI, VGA & DVI-I
- Ultra-slim body size with amazing compact design



The actual appearance is subject to the final configuration

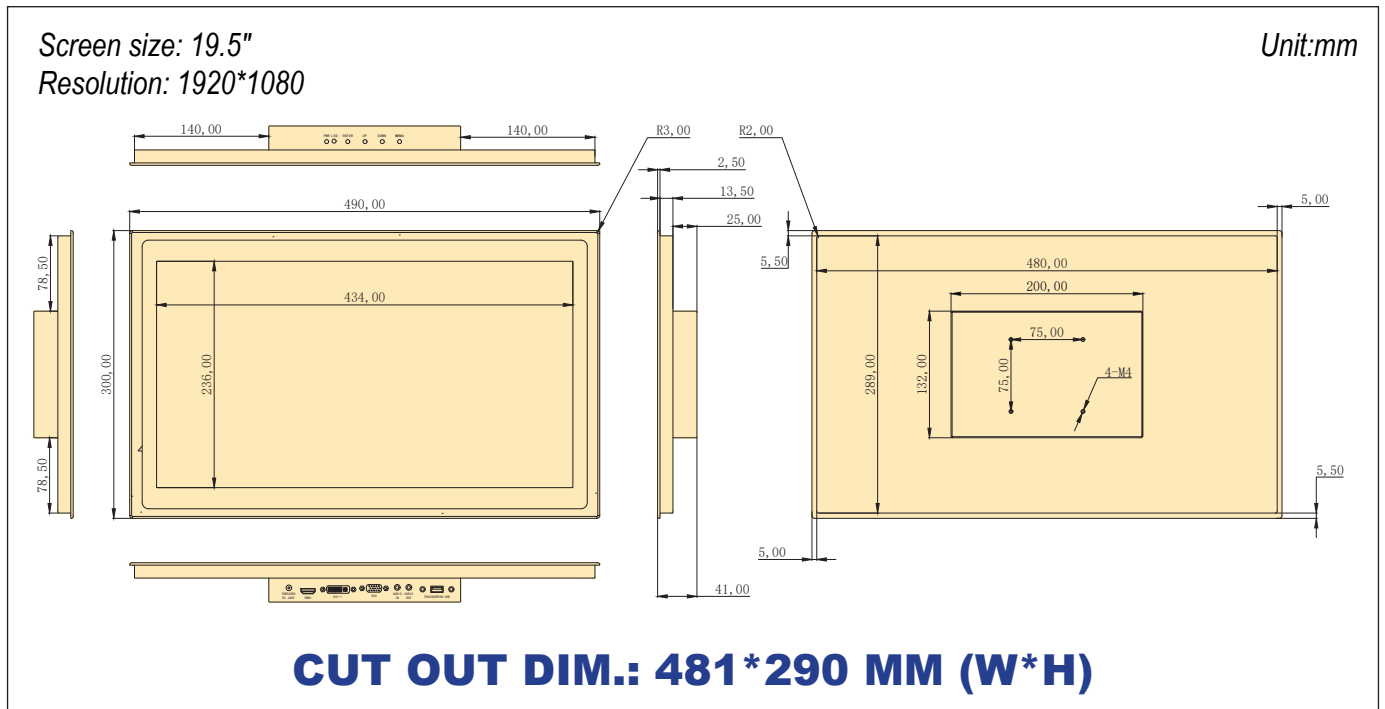
Introduction

The TP-IPC IDP-1950W Embedded Industrial Panel Mount Monitor series offers flexible options for TFT-LCD, touchscreen, signal interface and chassis mounting. The series provides not only IP65 ingress rating at the front surface, but also with standard integrated frame design, supporting rear and VESA mounting which brings the benefits of easy installation and provides flexibility for different applications.

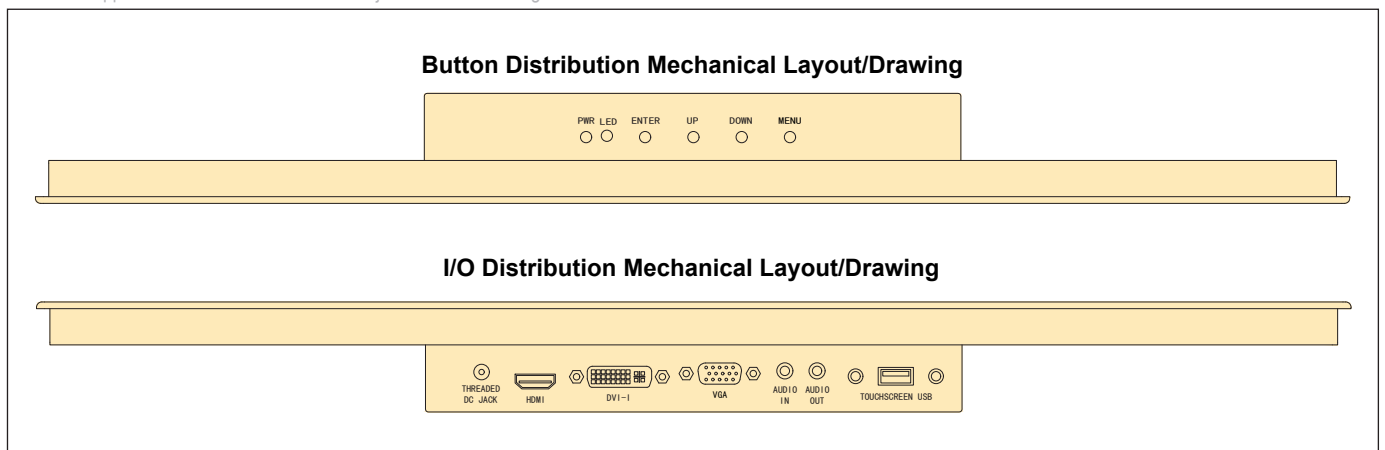
Specifications

Model	IDP-1950W	IDP-1950W-CT	IDP-1950W-NT
Display Information	Size & Ratio	19.5", 16:9	
	Resolution	1920*1080	
	Brightness	250 (Typ.)	
	Viewing Angle	89/89/89/89 (Typ.)(CR>=10)	
	Contrast Ratio	3000 : 1 (Typ.) (Transmission)	
	Display Colors	16.7m 72% (CIE1931)	
	Display Area	434.88*238.68(mm)	
	Response Time	25 (Typ.)(Tr+Td) ms	
	Frequency	60Hz	
	Pixel pitch	0.2265 (H)*0.221 (V)	
Touchscreen	Touchscreen Type	Projected Capacitive Touchscreen	Non-Touchscreen
	Touchscreen Method	Ten point	-
	Surface	6H	Matte (Haze 25%),Hard coating (3H)
	Durability	-	-
	Transparency	85± 3%	-
Environment	Operating Temperature	-0 ~ 50 °C w/ 0.7m/s Airflow	
	Storage Temperature	-20 ~ 60 °C (-4~140 °F)	
	Relative Humidity	40 °C @ 95%, Non-Condensing	
I/O INTERFACE	Vide & Audio	1* HDMI, 1* DVI-I, 1* VGA, 1* Audio In, 1* Audio Out	
	Touchscreen Interface	1* Touchscreen Lockable USB; Optional with Touchscreen RS-232 DB9 serial port	
	Power Supply	9-32V DC; 1* DC Threaded Jack (5.5* 2.5mm)	
Physical Characteristics	Dimensions	490*300*41mm (W* H* D)	
	Net Weight	4.3KG	
Regulation	EMC	CE/FCC Class B, CCC	
	Safety	CE-LVD, RoHS, CCC	

Dimension



The actual appearance and dimensions are subject to the final configuration



Ordering Information

Part No.	Brightness(cd/m2)	Touch Screen	Video & Audio I/O	Touchscreen Connector	Power Connector	Power Supply
IDP-1950W-NT	250	NA	VGA, DVI, HDMI, Audio In, Audio Out	NA	DC Threaded Jack	9-32V DC
IDP-1950W-CT	250	Projected Capacitive	VGA, DVI, HDMI, Audio In, Audio Out	USB or RS232	DC Threaded Jack	9-32V DC

Packing List

Optional Items	Qty
IDP-1950W Unit	1
AC-to-DC adapter 12V/3A	1
Power cable 3-pin, 1.5m	1
Embedded mounting kit	1
Lockable M cable USB-A(M)/USB-A(M), 1.5m	1
VGA cable, 1.5m	1

!! Note: the USB cable is equipped for touchscreen only.

Options For Default Items

Optional Items	Qty
Power cable 3-pin, 1.5m, USA type	1
Power cable 3-pin, 1.5m, EU type	1
Power cable 3-pin, 1.5m, UK type	1
Desktop support bracket	1
Wall-mounted VESA bracket	1
HDMI cable, 1.5m	1
DVI cable, 1.5m	1
Touchscreen RS-232 cable, 1.5m	1

Optional Accessories

Optional Items	Qty	Description
M Cable 9P/9P (Touchscreen RS-232 cable)	-	2/3/5/10/15m
Lockable M cable USB-A(M)/USB-A(M)	-	2/3m
Rotatable wall-mounted VESA bracket	-	75*75mm
Touchscreen RS-232 module	-	Touch signal transmission distance up to 30m
Advanced touch-module	-	Support touch function even when there is water on the panel
VGA cable	-	2/3/5/10/15m
HDMI cable	-	2/3/5/10/15m
DVI cable, 1.5m	-	2/3/5/10/15m