

IBOX-103-2L2C-J4125



- Full aluminum alloy anti-interference structure
- Modular parts with strong scalability
- Fully enclosed with fanless cooling system
- Cable-free design for better vibration resistance
- Scientific and reasonable interface layout
- Double board design with diverse interfaces



The actual appearance is subject to the final configuration.

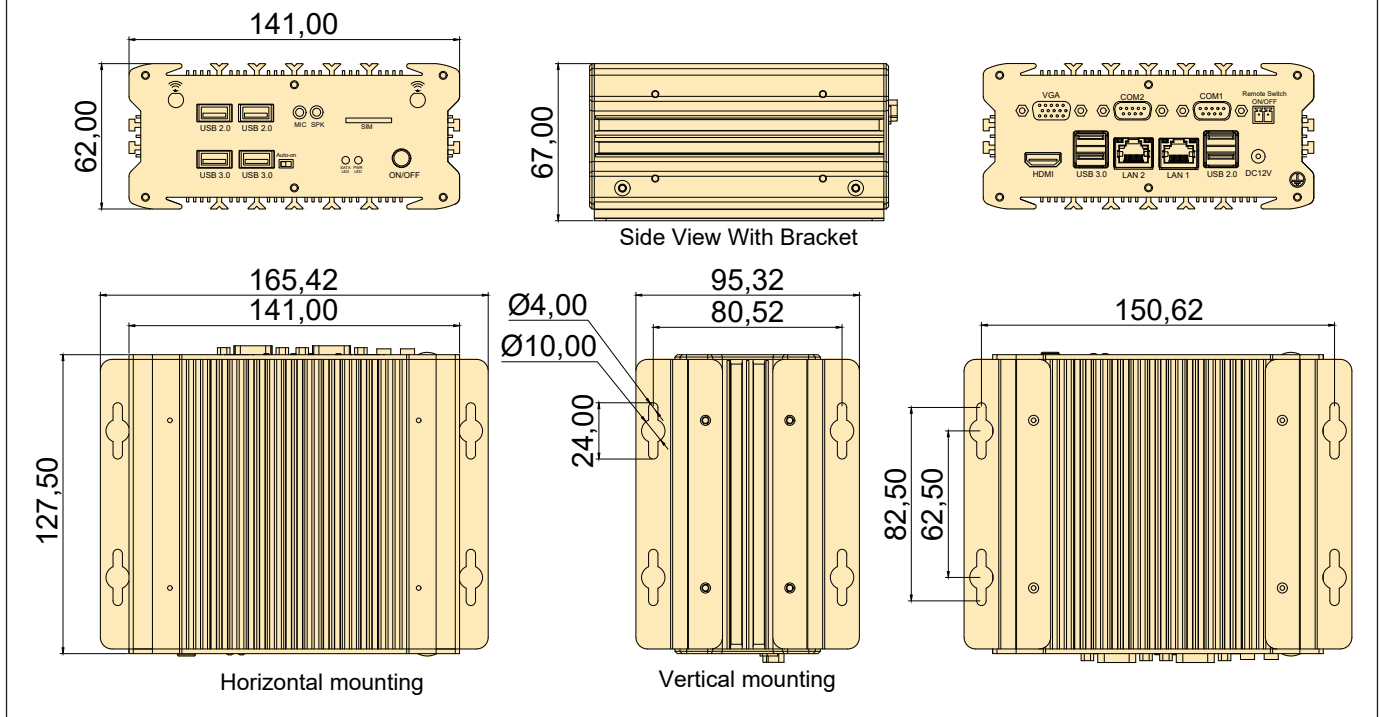
Specifications

MODEL	Option A&B	IBOX-103-2L2C-J4125A	IBOX-103-2L2C-J4125B	
Supported OS	Win 7, Win 8, Win 10, Win11, Linux (Ubuntu, Dibian, Kali, CentOS, etc.); WES 7; Win 10 IoT			
CPU	Intel® Celeron® J4125, 4 Cores, 4 Threads, Burst Fre. 2.70 GHz, Base Fre. 2.00 GHz, TDP 10W			
RAM	SO-DIMM	1* DDR4 SO-DIMM Socket, Dual-channel 2400 MHz, Up to 8GB		
Storage Devices	M.2	1* M.2 2280 M-key slot, support SATA3.0 SSD		
	SATA/ mSATA	1* mSATA3.0 slot on board (6Gb/s)	1* 2.5" SATA3.0 Bay on board (6Gb/s)	
I/O INTERFACE	COM	2* RS232/485, DB9 connector; Connected to Mini-PCIe, support CANbus		
	Ethernet	2* RTL8111H GbE Network, support network wake-up/PXE function		
	USB	4* USB 3.0; 4* USB 2.0		
	Video	1* HDMI, support 4096x2304@24Hz; 1* VGA, support 1920x1200@60Hz;	2* HDMI, support 4096x2304@24Hz;	
	Audio	1* LINE out+1* MIC in; With 7.1 channels HD Audio Codec Realtek ALC897	1* LINE out+1* MIC in; With 5.1 channels HD Audio Codec Realtek ALC662	
	SIM	1* External SIM card slot connected to Mini-PCIe & M.2 B-key slot		1* External SIM card slot connected to Mini-PCIe
	Power supply	12V DC; 1* DC Jack (5.5* 2.5mm)		
	Other	1* Remote Switch Terminal (2-Pin, 3.81mm); 1* Auto-On Switch		
Extended Capabilities	Additional Internal Interface	1* Full Size Mini-PCIe (PCIe+USB2.0); [1] 1* M.2 3052 B-key slot (PCIe+USB2.0); [2] MiniPCIe and M.2 are connected to a same SIM card slot.	1* Full Size Mini-PCIe with SIM card slot (PCIe+USB2.0); 1* M.2 2230 E-key Slot (PCIe+USB2.0, support WiFi+BT)	
	Environment	Operating Temperature	-10 ~ 50 °C w/ 0.7m/s Airflow	
	Storage Temperature	-40 ~ 85 °C (-40~185 °F)		
	Relative Humidity	40 °C @ 95%, Non-Condensing		
Physical Characteristics	Dimensions	141* 62* 127.5 mm (W* H* D)		
	Net Weight	1.35 KG		
Regulation	EMC	CE/FCC Class B, CCC		
	Safety	CE-LVD, RoHS, CCC		

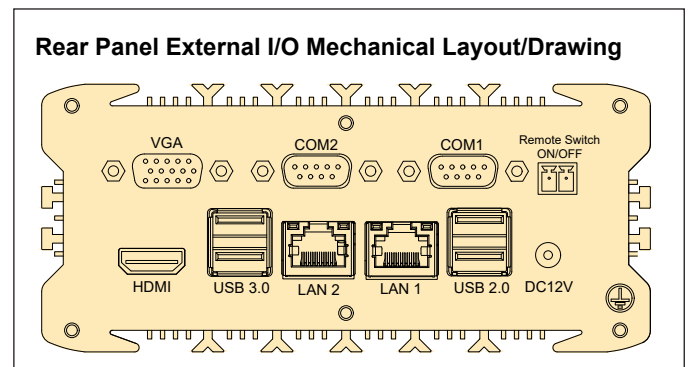
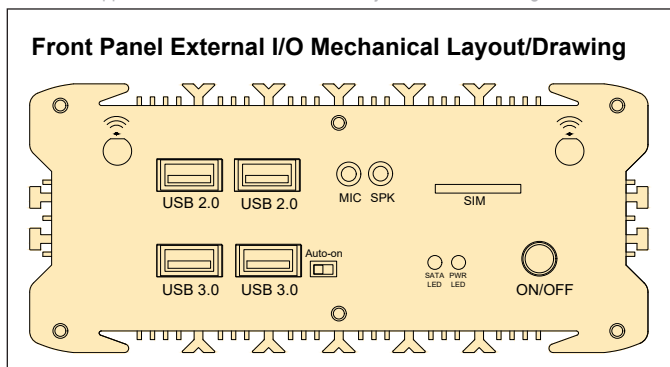
[1][2]: The PCIe and USB signals of M.2 B-key are shared with the PCIe and USB signals of MiniPCIe, these two expansion slots cannot use the same signals at the same time.

Dimension

Unit:mm



The actual appearance and dimensions are subject to the final configuration



Ordering Information-IBOX-103-2L2C-J4125A

SO-DIMM Socket	M.2 2280 M-key Slot	mSATA Slot	M.2 3052 B-key Slot	Full Size Mini-PCle	RS232/ RS485	GbE LAN	USB 2.0	USB 3.0
1	1	1	1	1	2	2	2	4
VGA	HDMI	LineOut	MicIn	Remote Switch Connector	Auto-On Switch	External SIM Slot	Power Supply	
1	1	1	1	1	1	1	DC 12V	

Ordering Information-IBOX-103-2L2C-J4125B

SO-DIMM Socket	M.2 2280 M-key Slot	2.5 inch SATA3.0 Bay	Full Size Mini-PCle	M.2 2230 E-key slot	RS232/ RS485	GbE LAN		
1	1	1	1	1	2	2		
USB 2.0	USB 3.0	HDMI	LineOut	MicIn	Internal Remote Switch Connector	Auto-On Switch	External SIM Card Slot	Power Supply
2	4	2	1	1	1	1	1	DC 12V

Processors Info & Available List

CPU	Code Name	Total Cores	Total Threads	Max Turbo Frequency	Base Frequency	Cache	TDP	Memory Types	Integrated Graphics
Intel® Celeron® J4125	Tiger Lake	4	4	-	2.00 GHz	4 MB	10W	DDR4	Intel® UHD Graphics 600

All products and company name listed are trademarks or trade names of their respective companies.

Packing list

Default Items	Qty
IBOX-103-2L2C-J4125 Unit	1
AC-to-DC Adapter	1
Wall mounting bracket	2
Power cable 3-pin 150cm	1

Options for default items

Optional Items	Qty
Power cable 3-pin 150cm, USA type	-
Power cable 3-pin 150cm, EU type	-
Power cable 3-pin 150cm, UK type	-
VESA mount kits	-
DIN Rail mount kits	-

Optional accessories or internal modules for unit

Optional Items	Max Qty	Description
AI Acceleration Card	1	13 TOPS, Connected by Mini-PCIe interface
5G Module	1	Connected by M.2 interface
4G Module	1	Connected by Mini-PCIe interface
WiFi Module without AP mode	1	Connected by Mini-PCIe interface or M.2 interface
WiFi Module with AP mode	1	Connected by Mini-PCIe interface
Dual channel CAN-Bus Module	1	Connected by Mini-PCIe interface

!! Note: As this product has expansion slots, please consult sales for the specific maximum number of expandable interfaces.