

# IBOX-007



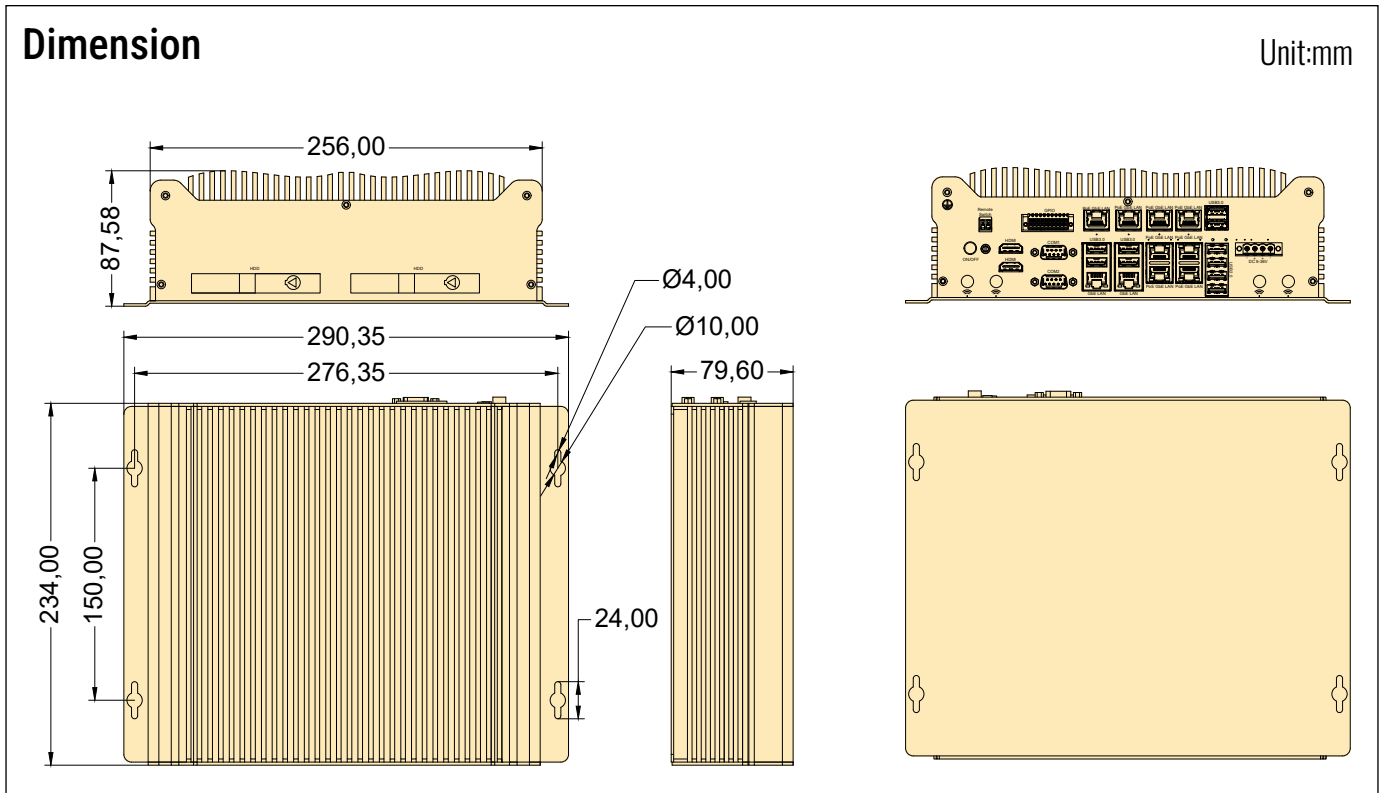
- Integrated up to eight Performance-cores, that enhance IoT workload consolidation, and up to eight Efficient-cores, that enhance background task management and multitasking.
- Intel® Active Management Technology (AMT) provides client the remote out-of-band management for efficient proactive and reactive system maintenance over Ethernet or Wi-Fi connections and is a superset of Intel® Standard Manageability features.
- Support up to 4\* easily Swappable 2.5 inch HDD Design with RAID 0/1/5/10
- Up to 32 graphics execution units (EUs) based on Intel® UHD Graphics 770 driven by Intel® Xe Architecture, allows for eye-catching visuals.
- The graphics, media, and display engine with up to two VDBOXes that can decode over 40 incoming video streams at 1080p and 30 frames per second.
- Full sealed modular parts design and cable-free design with aluminum alloy cooling enclosure, dustproof, anti-vibration and anti-interference;



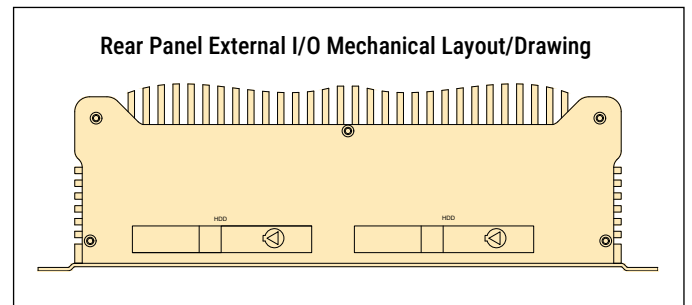
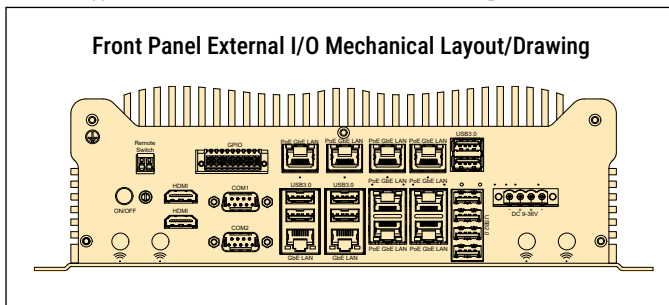
The actual appearance is subject to the final configuration.

## Specifications

<b>Model</b>	IBOX-007		
<b>Supported OS</b>	Win 10, Win11, Linux (Ubuntu, Debian, Kali, CentOS, etc.); Win 10 IoT		
<b>Chipset</b>	Model	Intel® Q670 Chipset, Intel® Alder Lake-S, TDP 6W	
<b>CPU</b>	Socket	Intel® Desktop Processors Socket LGA1700	
	Series & TDP	12th Gen. Intel® Core™ i3 processor, Max. 65W TDPs	12th Gen. Intel® Core™ i9/ i7/ i5 processor, Max. 35W TDPs
	Graphic	Intel® UHD Graphics 730, 24 Execution Units	Intel® HD Graphics 770, 32 Execution Units
	vPRO Tech	Non-Supported	Supported
<b>RAM</b>	SO-DIMM	2* Dual-CH DDR4 3200 MHz SO-DIMM Socket, Capacity up to 64GB	
<b>Storage Device</b>	M.2	1* M.2 2242/2280 PCIe x4 NVMe SSD (M-key, 2280/2242, Gen3, Support RAID 0/1, From CPU) 1* M.2 2280 3052 PCIe x4/SATA (Default M-key PCIe x4, Gen3, Support PCIe x4 NVMe SSD, Support RAID 0/1, SATA signal is colay with one of SATA port., From PCH; Optional B-key with PCIe x4, USB3.0, USB2.0 signal and Sim card slot. USB2.0/Sim card slot is colay with Mini PCIe slot.)	
	SATA	4 * SATA3.0 7P Port, support max 4* swappable SSD design, support RAID 0/1/5/10	
<b>I/O Interface</b>	COM	2* COM DB9/M (COM1/2, RS232/RS485/RS422, sel by BIOS); 2* RS232 Header (COM3/4, expanded by I/O Daughter Card)	
	Ethernet	1 * Intel® I219 GBE Ethernet Controller, LAN5, RJ45 1 * Intel® I210 GBE Ethernet Controller, LAN6, RJ45 8 * Intel® I210 GBE Ethernet Controller, RJ45, LAN1-4, LAN7-10, support PoE (LAN7-LAN10 are expanded by I/O Daughter Card)	
	USB	4 * USB3.0; 4* USB2.0; 1* Internal USB2.0; 2* USB3.0 (These two USB3.0 are expanded by I/O Daughter Card)	
	Video	2 * HDMI (TYPE-A), Support 3840*2160@60Hz;	
	Audio	1 * Line-Out + MIC 2in1 Jack; 1 * Front Audio Header (Line-out + MIC)	
	SIM	1 * Internal SIM card slot connected to Mini-PCIe or M.2 B-key slot	
	Power Supply	9-36V DC; 1* Terminal Block (4-Pin, 5.08mm)	
<b>Extended Capabilities</b>	Additional Internal Interface	1 * Mini-PCIe with SIM Card Slot (PCIe+USB2.0, support WiFi or 4G)	
	<b>Environment</b>	Operating Temp.	-20 ~ 55 °C w/ 0.7m/s Airflow
		Storage Temp.	-40 ~ 85 °C (-40~185 °F)
Relative Humidity		40 °C @ 95%, Non-Condensing	
<b>Physical Characteristics</b>	Dimensions	290.35* 87.58* 234 mm (W* H* D)	
	Net Weight	7 KG	
<b>Regulation</b>	EMC	CE/FCC Class B, CCC	
	Safety	CE-LVD, RoHS, CCC	



The actual appearance and dimensions are subject to the final configuration



## Ordering Information

SO-DIMM Socket	M.2 M-key Slot	M.2 B-key Slot	SATA3.0 Connector	Full Size Mini PCIe Slot	RS232/ 422/ 485 DB9 COM Port	GbE LAN	PoE GbE LAN
2	1 or 2	0 or 1	4	1	2	2	4
USB 3.0	USB 2.0	Internal USB2.0	HDMI	Audio Jack	Internal SIM Card Slot	8-bit GPIO Header	Power Supply
4	4	1	2	1	1	1	DC 9-36V

## I/O Daughter Card Information

Model	MEV EXP-4POE
Input	1* Daughter Card Expand Connector
LAN	4* Intel® i210 GbE LAN, RJ45, Support PoE, Max 4* 15.4W (each 15.4W max)
COM	2* RS232 (COM3/4, Wafer)
USB	2* USB3.0 (TYPE-A, Rear IO)
Other Ports	1* Remote Switch on Terminal Block, 2*1 Pin, 3.5mm; 1* 16-bit GPIO on Terminal Block (8-Inputs/8-Outputs, 5-48V Input Range, 10*2Pin, 2.54mm)
Power Supply	1 * DC48V POE Power Input ATX 4P Connector

## Processors Information

CPU	Code Name	Total Cores	Total Threads	Max Turbo Frequency	Base Frequency	Cache	TDP	Memory Types	Integrated Graphics
Intel® Core™ I3-12100T	Alder Lake	4	8	4.10 GHz	2.20 GHz	12 MB Intel® Smart Cache	35 W	DDR4	Intel® HD Graphics 730, 24EUs
Intel® Core™ I5-12500T	Alder Lake	6	12	4.40 GHz	2.00 GHz	18 MB Intel® Smart Cache	35 W	DDR4	Intel® HD Graphics 770, 32EUs
Intel® Core™ I7-12700T	Alder Lake	12	20	4.70 GHz	1.40 GHz	25 MB Intel® Smart Cache	35 W	DDR4	Intel® HD Graphics 770, 32EUs
Intel® Core™ I9-12900T	Alder Lake	16	24	4.90 GHz	1.40 GHz	30 MB Intel® Smart Cache	35 W	DDR4	Intel® HD Graphics 770, 32EUs
Intel® Core™ I3-12100	Alder Lake	4	8	4.30 GHz	3.30 GHz	12 MB Intel® Smart Cache	65 W	DDR4	Intel® HD Graphics 730, 24EUs
Intel® Core™ I3-13100T	Alder Lake	4	8	4.10 GHz	2.20 GHz	12 MB Intel® Smart Cache	35 W	DDR4	Intel® HD Graphics 730, 24EUs
Intel® Core™ I5-13500T	Alder Lake	14	20	4.40 GHz	2.00 GHz	24 MB Intel® Smart Cache	35 W	DDR4	Intel® HD Graphics 770, 32EUs
Intel® Core™ I7-13700T	Alder Lake	16	24	4.70 GHz	1.40 GHz	30 MB Intel® Smart Cache	35 W	DDR4	Intel® HD Graphics 770, 32EUs
Intel® Core™ I9-13900T	Alder Lake	24	32	4.90 GHz	1.40 GHz	36 MB Intel® Smart Cache	35 W	DDR4	Intel® HD Graphics 770, 32EUs
Intel® Core™ I3-13100	Alder Lake	4	8	4.30 GHz	3.30 GHz	12 MB Intel® Smart Cache	65 W	DDR4	Intel® HD Graphics 730, 24EUs

All products and company name listed are trademarks or trade names of their respective companies.

!! Note: For more interface configuration or available processors, please consult the sales.

## Packing list

Default Items	Qty
IBOX-007 Unit	1
AC-to-DC Adapter	1
Power cable 4-pin 150cm	1

## Options for default items

Optional Items	Qty
Power cable 4-pin 150cm, USA type	-
Power cable 4-pin 150cm, EU type	-
Power cable 4-pin 150cm, UK type	-

## Optional accessories or internal modules for unit

Optional Items	Max Qty	Description
I/O Daughter Card	1	Connected by IO expand slot, offering 4* PoE LAN+1* 16bit GPIO( 5-48V)+1* Remote Switch+ 2* USB3.0
4G Module	1	Connected by Mini-PCIe or M.2 interface
WiFi Module without AP mode	1	Connected by Mini-PCIe interface
WiFi Module with AP mode	1	Connected by Mini-PCIe interface
Dual channel CAN-Bus Module	2	Connected by Mini-PCIe or M.2 interface
Dual GbE PoE LAN Module	3	Connected by Mini-PCIe or M.2 interface
AI Acceleration Card	4	26 TOPS, Connected by M.2 interface; 13 TOPS, Connected by Mini-PCIe interface
Ignition Switch Module	1	Phoenix Terminal connector, connected by internal power switch and 4-pin ATX power connector

!! Note: As this product has expansion slots, please consult sales for the specific maximum number of expandable interfaces.