

IBOX-104V2-2L6C-11TH



- With new Intel® Iris® Xe graphics, the platform offers up to 2.95 times faster graphics performance.
- The graphics, media, and display engine with up to two VDBOXes that can decode over 40 incoming video streams at 1080p and 30 frames per second. Full sealed design with aluminum alloy cooling enclosure, dustproof, anti-vibration and anti-interference.
- Ultra-thin design, 44mm height, max optional 55mm height.
- Modular Expansion, it comes with three M.2 slots for wireless cards (5G/4G, Wi-Fi, Bt, and GNSS) and M.2 SSD.
- Full sealed design with aluminum alloy cooling enclosure, dustproof, anti-vibration and anti-interference.
- Supports VESA and wall mounting for different applications.
- Optional super slim internal fan cooling system when the TDP is 28W.

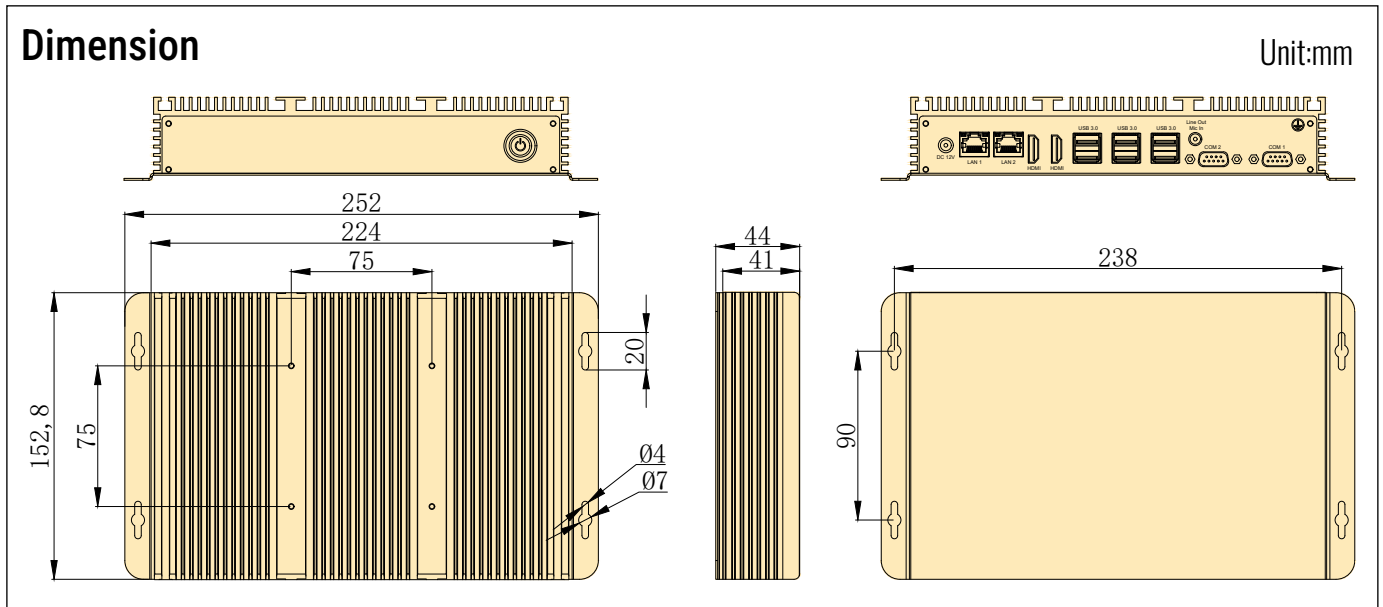


The actual appearance is subject to the final configuration.

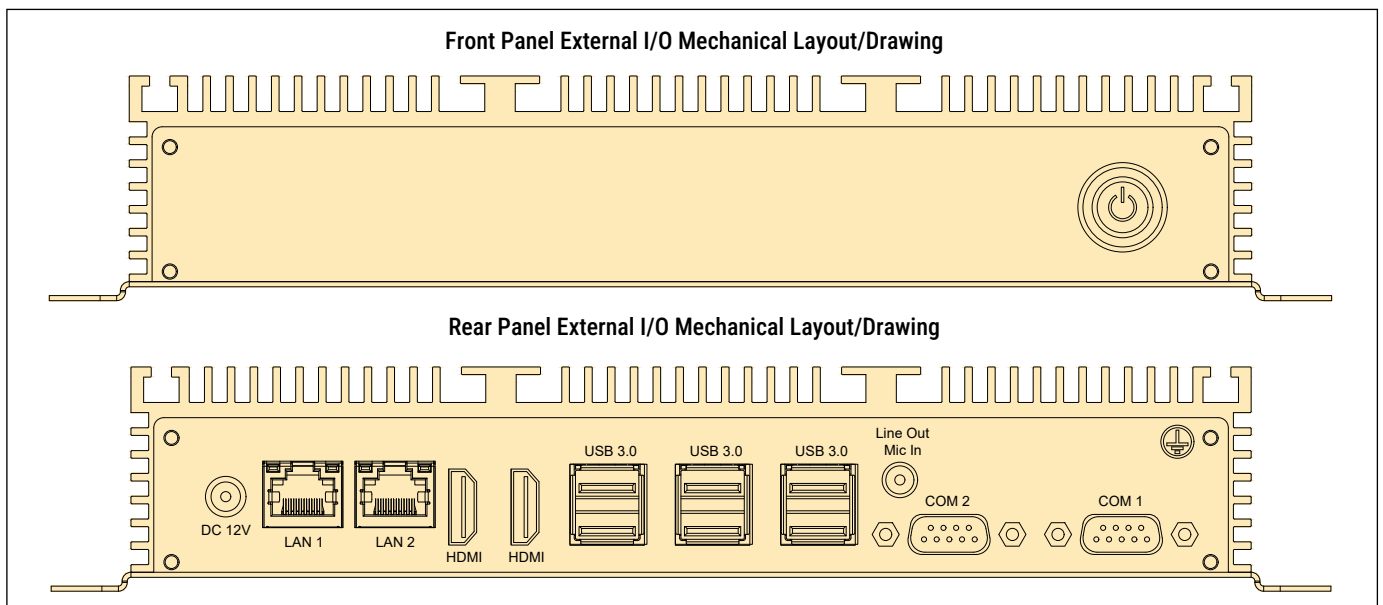
Specifications

Model	IBOX-104V2-2L6C-11TH				
Supported OS	Win 10, Win 10 IoT, Linux (Ubuntu, Dibiian, Kali, CentOS, etc.)				
CPU	CPU Model	Intel® Core™ i7-1165G7	Intel® Core™ i5-1135G7	Intel® Core™ i3-1115G4	Intel® Celeron® 6305E
	Graphic	Intel® Iris® Xe Graphics, Up to 96 EUs, 1.3Ghz	Intel® Iris® Xe Graphics, Up to 80 EUs, 1.3Ghz	Intel® UHD Graphics, up to 48 EUs, 1.25Ghz	Intel® UHD Graphics, up to 48 EUs, 1.25Ghz
	TDP	15W by default, 12/ 28W optional			15W
RAM	SO-DIMM	2* non-ECC SO-DIMM Socket, support DDR4-3200 MHz, up to 64GB			
Storage	M.2	1* M.2 (NGFF) 2280 M-key Slot, SATA3.0 by default, support PCIe4 Gen.4 NVMe SSD			
	SATA	1* SATA3.0 7P Connector (6Gb/s), with 1 * SATA Power Header [1]			
I/O INTERFACE	COM	3* RS232 (COM1/2/3, Header, Full lanes) 2* RS232/TTL (COM4/5, Header, 3 lanes); 1* RS232/RS485/TTL (COM6, Header, 3 lanes) (COM4/5/6 RS232/TTL sel by res, support RS232 by default. COM4/5/6 must be used at the same mode)			
	Ethernet	2* Intel® GbE LAN (10/100/1000 Mbps, RJ45)			
	USB	6* USB3.0; 4 * USB2.0 Internal Headers			
	Video	2* HDMI(TYPE-A), max resolution up to 4096*2160@30Hz			
	Audio	1 * Line-Out + MIC 2in1 3.5mm Jack; With 7.1 channel HD Audio Codec Realtek ALC897; 1 * Amplifier Header			
	SIM	1* Built-in nano-SIM Card Slot connected to M.2 B-key slot			
	Power Supply	12V DC; 1* DC Threaded Jack (5.5* 2.5mm) Optional 9-30V DC PWR module with Terminal Block (2-Pin, 5.08mm)			
	Other	1* 8-bit GPIO header with 4 inputs and 4 outputs, Input voltage range, 0-5V;			
Extended Capabilities	Additional Internal Interface	1* M.2 (NGFF) E-key Slot (PCIe+USB2.0, Support WiFi+BT, 2230) 1* M.2 (NGFF) B-key Slot (PCIe/USB3.0+USB2.0, Support 5G+4G/3G, with 1* nano-SIM Card Slot, 3052)			
	Functionality Extension	COM, LAN, USB, CAN BUS, Wi-Fi, 4G			
Environment	Operating Temp.	-10 ~ 50 °C w/ 0.7m/s Airflow			
	Storage Temp.	-40 ~ 85 °C (-40~185 °F)			
	Relative Humidity	40 °C @ 95%, Non-Condensing			
Physical Characteristics	Dimensions	250* 44* 153 mm (W* H* D) (It has a higher version with 49mm shell)			
	Net Weight	1.5 KG			
Regulation	EMC	CE/FCC Class B, CCC			
	Safety	CE-LVD, RoHS, CCC			

[1]: If the SATA 3.0 SSD is needed, the 55mm height shell is required necessary because of the compact installation space



The actual appearance and dimensions are subject to the final configuration



Ordering Information

SO-DIMM Socket	M.2 2280 M-key Slot	SATA3.0 Connector	M.2 2230 E-key Slot	M.2 3052 B-key Slot	COM headers	GbE LAN
2	1	1	1	1	6	2
USB 3.0 Port	USB 2.0 Headers	HDMI	Line Out + Mic In	Amplifier Header	Nano-SIM Card Slot	Power Supply
6	4	2	1	1	1	DC 12V

!! Note: Custom available for this unit, the actual data is subject to the final configuration

Processors Info & Available List

CPU	Code Name	Total Cores	Total Threads	Max Turbo Frequency	Base Frequency	Cache	TDP	Memory Types	Integrated Graphics
Intel® Core™ i7-1165G7	Tiger Lake	4	8	4.70 GHz	2.80 GHz	12 MB Intel® Smart Cache	12-28W	DDR4	Intel® Iris® Xe Graphics; 96Eus
Intel® Core™ i5-1135G7	Tiger Lake	4	8	4.20 GHz	2.40 GHz	8 MB Intel® Smart Cache	12-28W	DDR4	Intel® Iris® Xe Graphics; 80Eus
Intel® Core™ i3-1115G4	Tiger Lake	2	4	4.10 GHz	1.70 GHz	4 MB Intel® Smart Cache	12-28W	DDR4	Intel® Iris® Xe Graphics; 48Eus
Intel® Celeron® 6305E	Tiger Lake	2	2	-	1.80 GHz	4 MB Intel® Smart Cache	15W	DDR4	Intel UHD Graphics; 48Eus

All products and company name listed are trademarks or trade names of their respective companies.

Packing list

Default Items	Qty
IBOX-104V2-2L6C-11TH Unit	1
AC-to-DC Adapter	1
Power cable 3-pin 150cm	1

Options for default items

Optional Items	Qty
Power cable 3-pin 150cm, USA type	-
Power cable 3-pin 150cm, EU type	-
Power cable 3-pin 150cm, UK type	-
55 mm height shell	-
VESA mount kits	-
Internal fan kit	-

Optional accessories or internal modules for unit

Optional Items	Max Qty	Description
DC9-30V TO DC 12V PWR module	1	Phoenix Terminal connector, Power supply voltage conversion module, connected by header
Isolated RS-232	6	DB9 or Phoenix Terminal connector, connected by header
Isolated 8-bit GPIO, 9-24V	1	Phoenix Terminal connector, connected by header
4G Module	1	Connected by M.2 interface
WiFi Module without AP mode	1	Connected by M.2 interface
Dual channel CAN-Bus Module	1	Connected by M.2 interface

!! Note: As this product has expansion slots, please consult sales for the specific maximum number of expandable interfaces.