

IPPC-104V2-2L6C-11TH-19S



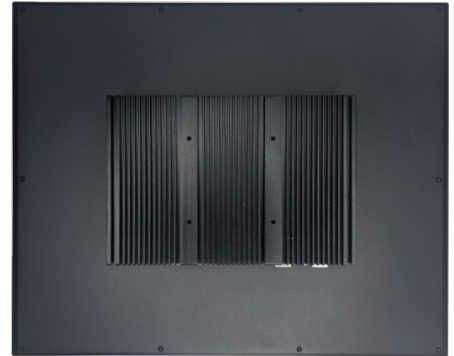
- 11th Gen Intel Core/ Celeron CPU with Intel® Iris® Xe Graphics
- Ultra-thin design, overall thickness is under 60mm;
- Narrow bezel design bring the more compact overall size;
- Aluminum alloy cooling backshell , sealed and fanless system design, dustproof, anti-vibration and anti-interference;
- Rich I/O interface and expansion slot with 3* M.2, support SSD, WiFi+BT, 4G/5G



Front Panel



Rear Panel

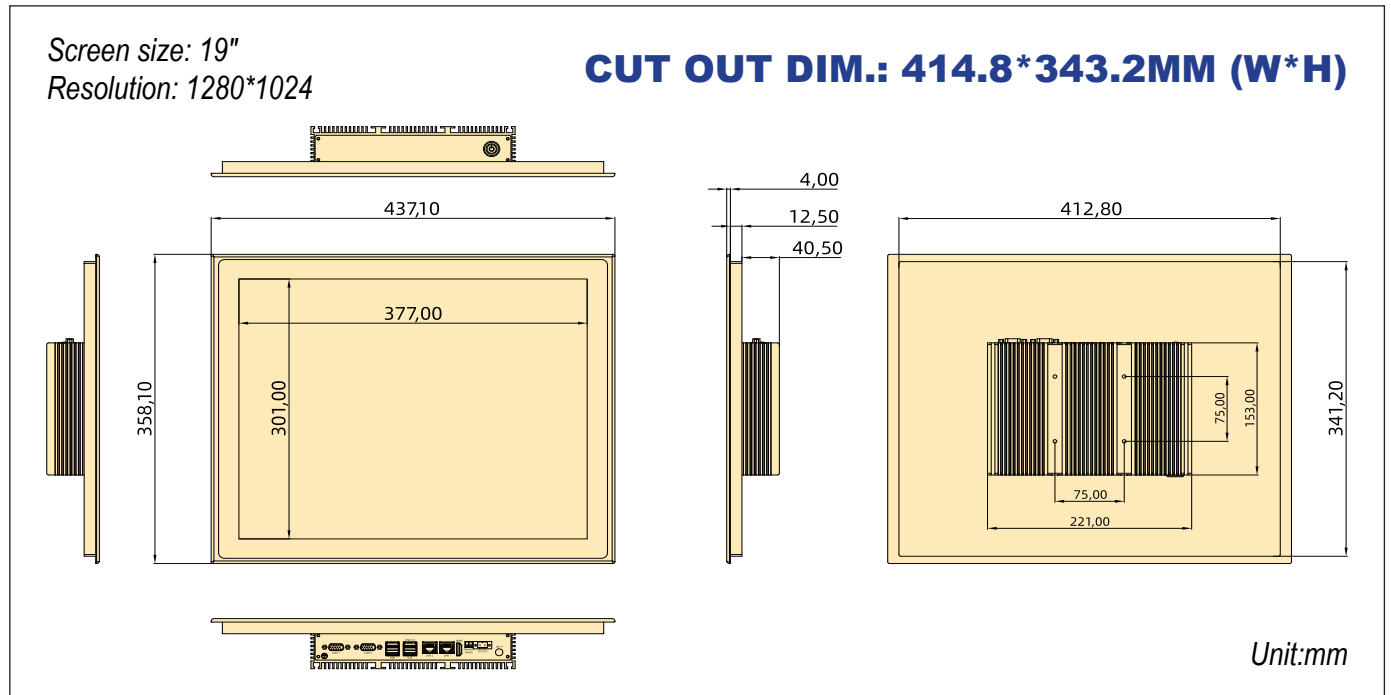


Specifications

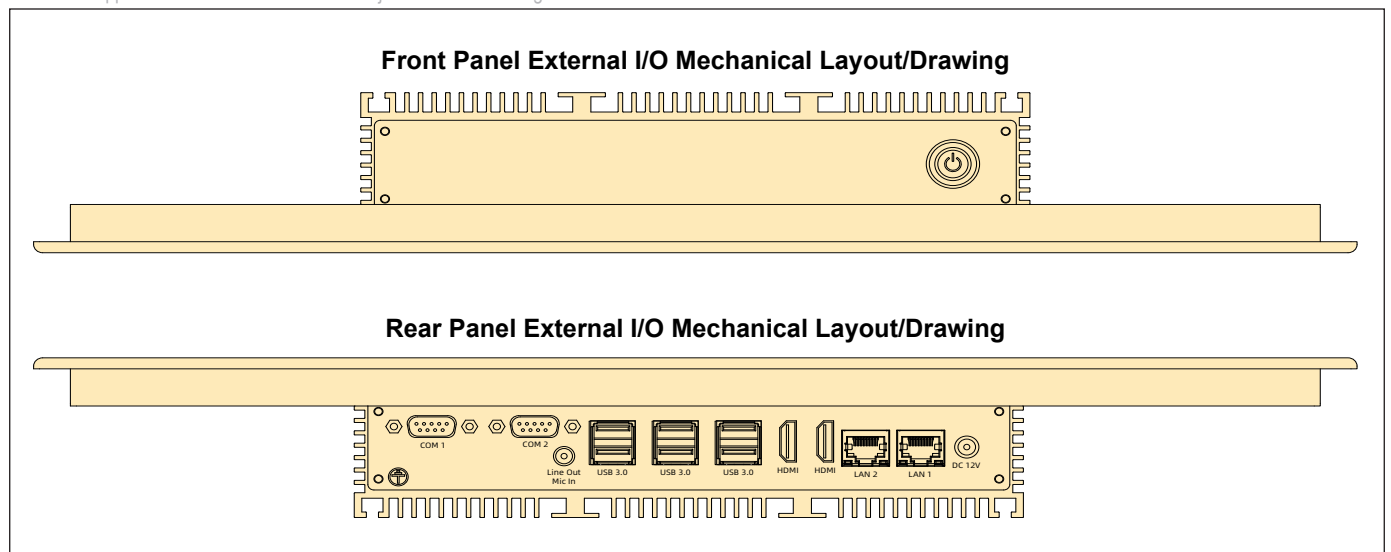
The actual appearance is subject to the final configuration

LCD Display		Touchscreen			
Display Type	19" TFT LCD (LED backlight)	Touchscreen Type	5-Wire Resistive	Projected Capacitive	Non-Touchscreen
Resolution	1280*1024	Touchscreen Method	Single point	Ten point	-
Luminance	250 cd/m2 (Typ.)	Surface	3H	6H	6H
Viewing Angle	85/85/80/80 (Typ.)(CR>=10)	Durability	1 million touches	-	-
Contrast Ratio	1000 : 1 (Typ.) (Transmission)	Transparency	75%±8%	85±3%	>88%
System					
CPU	Model	Intel® Core™ i7-1165G7	Intel® Core™ i5-1135G7	Intel® Core™ i3-1115G4	Intel® Celeron® 6305E
	Graphic	Intel® Iris® Xe Graphics, Up to 96 EUs, 1.3Ghz	Intel® Iris® Xe Graphics, Up to 80 EUs, 1.3Ghz	Intel® UHD Graphics, up to 48 EUs, 1.25Ghz	
RAM	SO-DIMM	2* non-ECC SO-DIMM Socket, support DDR4-3200 MHz, up to 64GB			
Storage	M.2	1* M.2 (NGFF) 2280 M-key Slot, support PCIe4 NVMe/ SATA3.0 SSD (PCIe x4 NVMe /SATA SSD sel by res, support SATA SSD by default. Intel® Core™ processor support Gen4 NVMe SSD, Intel® Celeron® processor support Gen3 NVMe SSD)			
Supported OS	Windows & Linux	Win 8, Win 10; Win 10 IoT, Ubuntu, Dbian, Kali, CentOS, etc.			
I/O INTERFACE	COM	3 * RS232 (COM1/2/3, Header, Full lanes); 2 * RS232/TTL (COM4/5, Header, 3 lanes) ; 1 * RS232/RS485/TTL (COM6, Header, 3 lanes) (COM4/5/6 RS232/TTL sel by res, support RS232 by default. COM4/5/6 must be used at the same mode)			
	Ethernet	2 * Intel® GBE LAN Chip (10/100/1000 Mbps, RJ45)			
	USB	6* USB3.0; 4 * USB2.0 Internal Headers			
	Video	2* HDMI(TYPE-A), max resolution up to 4096*2160@30Hz			
	Audio	1 * Line-Out + MIC 2in1 3.5mm Jack; With 7.1 channel HD Audio Codec Realtek ALC897; 1 * Amplifier Header			
	SIM	1* Built-in nano-SIM Card Slot connected to M.2 B-key slot			
	Power Supply	12V DC; 1* DC Threaded Jack (5.5* 2.5mm) Optional 9-30V DC PWR module with Terminal Block (2-Pin, 5.08mm)			
Other	1* 8-bit GPIO header with 4 inputs and 4 outputs, Input voltage range: 0-5V;				
Extended Capabilities	Additional Internal Interface	1* M.2 (NGFF) E-key Slot (PCIe+USB2.0, Support WiFi+BT, 2230) 1* M.2 (NGFF) B-key Slot (PCIe/USB3.0+USB2.0, Support 5G+4G/3G, with 1* nano-SIM Card Slot, 3052)			
	Environment	Operating Temperature	Non-Touch: 0~50°C; Capacitive: -20~60°C; (w/ 0.7m/s Airflow)		
Environment	Storage Temperature	Non-Touch: 0 ~ 50°C; Capacitive: -20 ~ 60°C			
	Relative Humidity	40 °C @ 95%, Non-Condensing			
	Physical Characteristics	Dimensions	437.1*358.1*57 mm		
Physical Characteristics	Net Weight	Around 5.45kg (The final weight is subject to actual ordering configuration)			
	Regulation	EMC	CE/FCC Class B, CCC		
Safety		CE-LVD, RoHS, CCC			

Dimension Drawings



The actual appearance and dimensions are subject to the final configuration



Processors Information

CPU	Code Name	Total Cores	Total Threads	Max Turbo Frequency	Base Frequency	Cache	TDP	Memory Types	Integrated Graphics
Intel® Core™ i7-1165G7	Tiger Lake	4	8	4.70 GHz	2.80 GHz	12 MB Intel® Smart Cache	12-28W	DDR4	Intel® Iris Xe Graphics; 96Eus
Intel® Core™ i5-1135G7	Tiger Lake	4	8	4.20 GHz	2.40 GHz	8 MB Intel® Smart Cache	12-28W	DDR4	Intel® Iris Xe Graphics; 80Eus
Intel® Core™ i3-1115G4	Tiger Lake	2	4	4.10 GHz	1.70 GHz	4 MB Intel® Smart Cache	12-28W	DDR4	Intel® Iris Xe Graphics; 48Eus
Intel® Celeron® 6305E	Tiger Lake	2	2	-	1.80 GHz	4 MB Intel® Smart Cache	15W	DDR4	Intel UHD Graphics

All products and company name listed are trademarks or trade names of their respective companies.

Ordering Information

SO-DIMM Slot	M.2 2280 M-key Slot	M.2 2230 E-key Slot	M.2 3052 B-key Slot	COM headers	GbE LAN	
2	1	1	1	6	2	
USB 3.0 Port	USB 2.0 Headers	HDMI	Line Out + Mic In	Amplifier Header	Nano-SIM Card Slot	Power Supply
6	4	2	1	1	1	DC 12V

!! Note: Custom available for this unit, the actual data is subject to the final configuration

Model	Aspect Ratio	Screen Size	Touch Function Support	Resolution (H*V)	Brightness (Typ.)	Viewing Angle (Typ.) (CR>=10)	Cutout Dimension (W*H)	Device Dimension (W*H*D)	N.W.	Operating Temp./ Storage Temp.
IPPC-104V2-2L6C-11TH-19S-NT	5:4	19"	Non-Touch	1280*1024	250 cd/m²	85/85/80/80	414.8*343.2 mm	437.1*358.1*57 mm	5.45 kg	0~50°C/ -20 ~ 60°C
IPPC-104V2-2L6C-11TH-19S-CT	5:4	19"	Capacitive Touch	1280*1024	250 cd/m²	85/85/80/80	414.8*343.2 mm	437.1*358.1*57 mm	5.45 kg	0~50°C/ -20 ~ 60°C
IPPC-104V2-2L6C-11TH-19S-RT	5:4	19"	Resistive Touch	1280*1024	250 cd/m²	85/85/80/80	414.8*343.2 mm	437.1*358.1*57 mm	5.45 kg	0~50°C/ -20 ~ 50°C

Packing List

Default Items	Qty
IPPC-104V2-2L6C-11TH-12S Unit	1
AC-to-DC Adapter	1
Power Cable 3-pin 150cm	1

Options for Default items

Optional Items	Qty
Power Cable 3-pin 150cm, USA type	-
Power Cable 3-pin 150cm, EU type	-
Power Cable 3-pin 150cm, UK type	-
VESA mount kits	-

Optional accessories or internal modules for unit

Optional Items	Max Qty	Description
DC9-30V TO DC-12V PWR module	1	PCB, Power supply voltage conversion module, connected by header
Isolated 8-bit GPIO, 9-26V	1	Phoenix Terminal connector, connected by jumper
Isolated RS-232	6	DB9 or Phoenix Terminal connector, connected by header
Isolated 8-bit GPIO, 9-24V	1	Phoenix Terminal connector, connected by header
4G Module	1	Connected by M.2 interface
5G Module	1	Connected by M.2 interface
WiFi Module without AP mode	1	Connected by M.2 interface

!! Note: As this product has expansion slots, please consult sales for the specific maximum number of expandable interfaces.