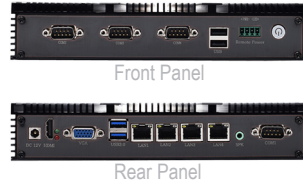


IPPC-104V2-4L6C-09S



- 11th Gen Intel Core/ Celeron CPU with Intel® Iris® Xe Graphics
- Ultra-thin design, overall thickness is under 60mm;
- Narrow bezel design bring the more compact overall size;
- Aluminum alloy cooling backshell , sealed and fanless system design, dustproof, anti-vibration and anti-interference;
- Rich I/O interface and expansion slot with 3* M.2, support SSD, WiFi+BT, 4G/5G

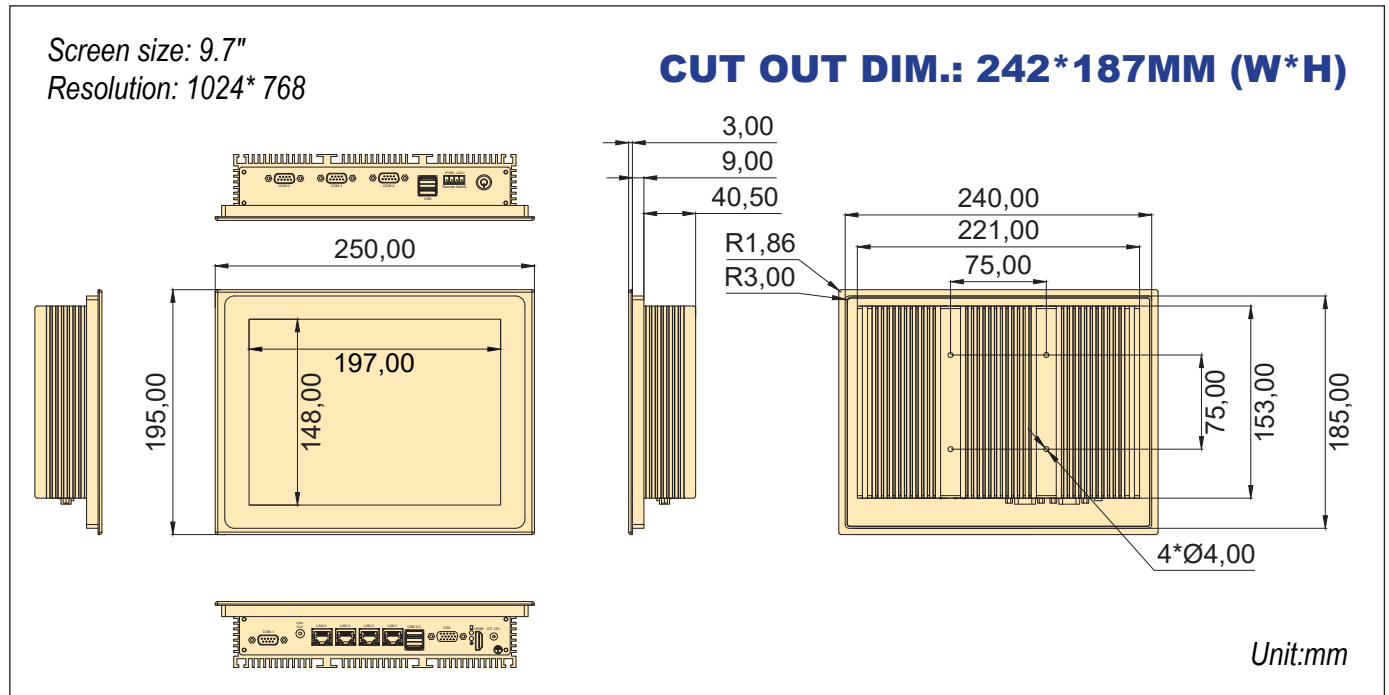


Specifications

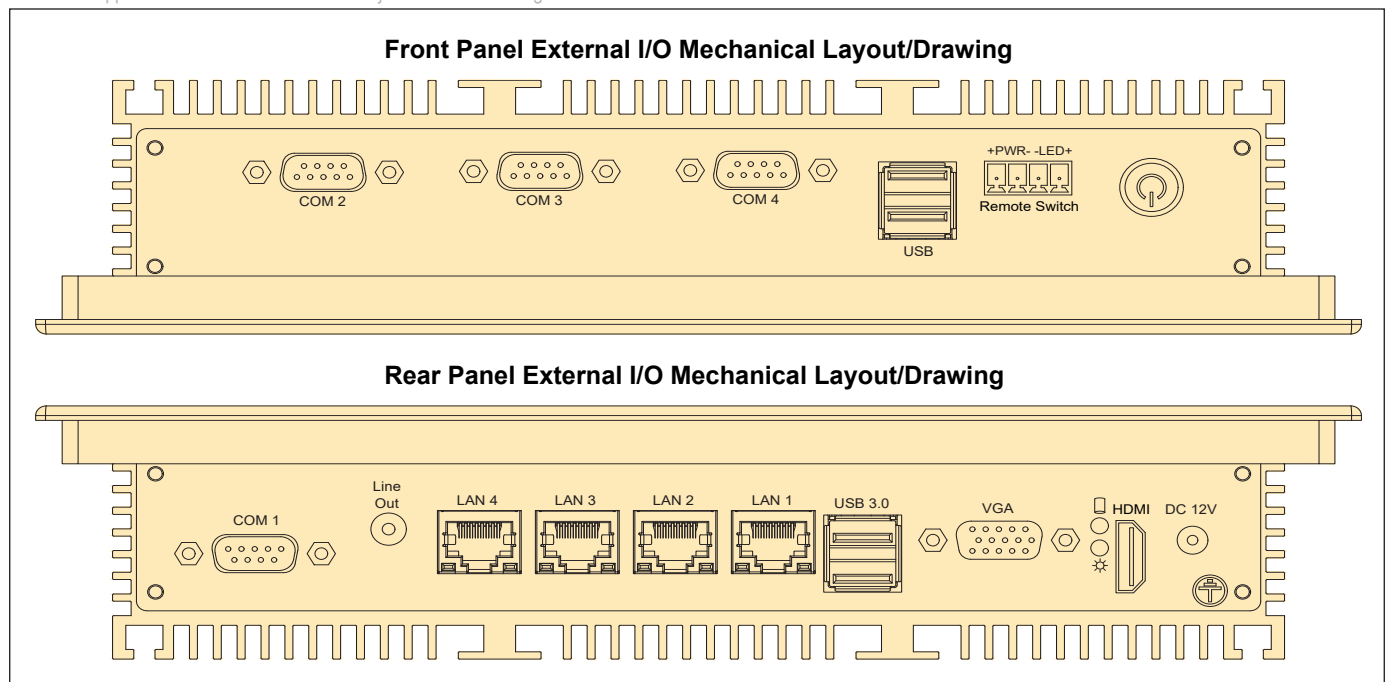
The actual appearance is subject to the final configuration

LCD Display		Touchscreen			
Display Type	9.7" TFT LCD (LED backlight)	Touchscreen Type	5-Wire Resistive	Projected Capacitive	Non-Touchscreen
Resolution	1024*768	Touchscreen Method	Single point	Ten point	-
Luminance	350 cd/m2 (Typ.)	Surface	3H	6H	6H
Viewing Angle	70/70/60/70 (Typ.)(CR>=10)	Durability	1 million touches	-	-
Contrast Ratio	500:1 (Typ.) (Transmission)	Transparency	75%±8%	85±3%	>88%
System					
CPU	Model	Intel® Core™ I5-4300U, Dual-core, 1.90 GHz		Intel® Core™ I7-4600U, Dual-core, 2.10 GHz	
RAM	SO-DIMM	1* SO-DIMM Socket, DDR3L-1333/1600 MHz, Up to 8GB			
Storage	MSATA	1* mSATA3.0 slot on board (6Gb/s)			
Supported OS	Windows & Linux	Win 7, Win 8, Win 10, Win11, Linux (Ubuntu, Dbian, Kali, CentOS, etc.); WES 7; Win 10 IoT			
I/O INTERFACE	COM	1* RS232/422/485 header (COM2); 1* RS232/485 header (COM3); 4* RS232 header (COM1/4/5/6);			
	Ethernet	4* Intel® i211 GbE LAN, support network wake-up/PXE function			
	USB	2* USB2.0; 2* USB3.0; 2* USB 2.0 header			
	Video	1* HDMI, support 3280x2000@60Hz; 1* VGA, support 1920x1200@60Hz;		1* HDMI, support 3200x2000@60Hz; 1* VGA, support 1920x1200@60Hz;	
	Audio	1* Line out; With 5.1 channels HD Audio Codec Realtek ALC662		1* Line out; With 5.1 channels HD Audio Codec Realtek ALC662	
	SIM	1* Built-in SIM card slot connected to Mini-PCle			
	Power Supply	12V DC; 1* DC Jack (5.5* 2.5mm); Optional 9-30V DC PWR module with Terminal Block (2-Pin, 5.08mm)			
	Other	1* Terminal Block (4-Pin, 3.81mm) with Remote Switch and Power Indicator 1* 8-bit GPIO header with 4 inputs and 4 outputs, Input voltage range: 0-5V;			
Extended Capabilities	Additional Internal Interface	1* Full Size Mini-PCle with SIM card slot (PCIe+USB2.0, support Wi-Fi+BT/ 4G)			
Environment	Operating Temperature	Non-Touch: 0~50°C; Capacitive: -20~60°C; (w/ 0.7m/s Airflow)			
	Storage Temperature	Non-Touch: 0 ~ 50°C; Capacitive: -20 ~ 60°C			
	Relative Humidity	40 °C @ 95%, Non-Condensing			
Physical Characteristics	Dimensions	250*195*52.5 mm			
	Net Weight	Around 2kg (The final weight is subject to actual ordering configuration)			
Regulation	EMC	CE/FCC Class B, CCC			
	Safety	CE-LVD, RoHS, CCC			

Dimension Drawings



The actual appearance and dimensions are subject to the final configuration



Processors Info & Available List

CPU	Code Name	Total Cores	Total Threads	Max Turbo Frequency	Base Frequency	Cache	TDP	Memory Types	Integrated Graphics
Intel® Core™ i5-4300U	Haswell	2	4	2.90 GHz	1.90 GHz	3 MB Intel® Smart Cache	15W	DDR3	Intel® HD Graphics 4400
Intel® Core™ i7-4600U	Haswell	2	4	3.30 GHz	2.10 GHz	4 MB Intel® Smart Cache	15W	DDR3	Intel® HD Graphics 4400

All products and company name listed are trademarks or trade names of their respective companies.

Ordering Information

SO-DIMM Socket	mSATA3.0 Slot	Full Size Mini-PCIe	COM headers	GbE LAN		
1	1	1	6	4		
USB 2.0	USB 3.0	HDMI	VGA	Line Out	SIM Card Slot	Power Supply
2	2	1	1	1	1	DC 12V

!! Note: Custom available for this unit, the actual data is subject to the final configuration

Model	Aspect Ratio	Screen Size	Touch Function Support	Resolution (H*V)	Brightness (Typ.)	Viewing Angle (Typ.) (CR>=10)	Cutout Dimension (W*H)	Device Dimension (W*H*D)	N.W.	Operating Temp./ Storage Temp.
IPPC-104V2-4L6C-09S-NT	4:3	9.7"	Non-Touch	1024*768	350 cd/m²	70/70/60/70	242*187 mm	250*195*52.5 mm	2 kg	-20~70°C/ -30 ~ 80°C
IPPC-104V2-4L6C-09S-CT	4:3	9.7"	Capacitive Touch	1024*768	350 cd/m²	70/70/60/70	242*187 mm	250*195*52.5 mm	2 kg	-20~70°C/ -20 ~ 70°C
IPPC-104V2-4L6C-09S-RT	4:3	9.7"	Resistive Touch	1024*768	350 cd/m²	70/70/60/70	242*187 mm	250*195*52.5 mm	2 kg	-10~50°C/ -20 ~ 50°C

Packing List

Default Items	Qty
IPPC-104V2-4L6C-09S Unit	1
AC-to-DC Adapter	1
Power Cable 3-pin 150cm	1

Options for Default items

Optional Items	Qty
Power Cable 3-pin 150cm, USA type	-
Power Cable 3-pin 150cm, EU type	-
Power Cable 3-pin 150cm, UK type	-
VESA mount kits	-

Optional accessories or internal modules for unit

Optional Items	Max Qty	Description
DC9-30V TO DC-12V PWR module	1	PCB, Power supply voltage conversion module, connected by header
Isolated 8-bit GPIO, 9-26V	1	Phoenix Terminal connector, connected by jumper
Isolated RS-232	6	DB9 or Phoenix Terminal connector, connected by header
Isolated 8-bit GPIO, 9-24V	1	Phoenix Terminal connector, connected by header
4G Module	1	Connected by M.2 interface
5G Module	1	Connected by M.2 interface
WiFi Module without AP mode	1	Connected by M.2 interface

!! Note: As this product has expansion slots, please consult sales for the specific maximum number of expandable interfaces.