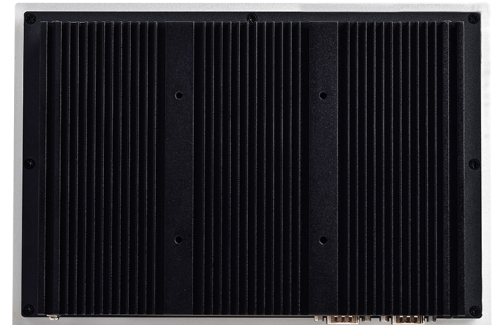
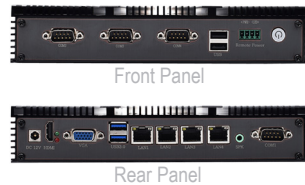


IPPC-104V2-4L6C-10W



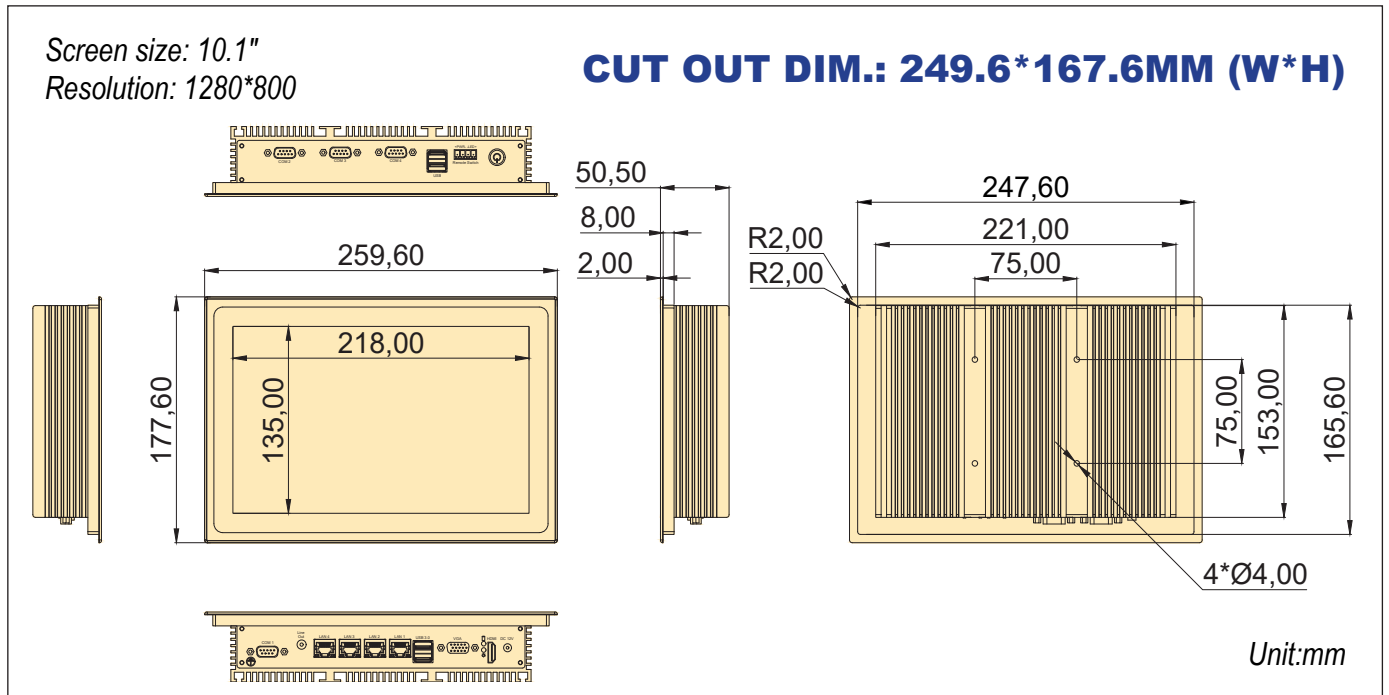
- 11th Gen Intel Core/ Celeron CPU with Intel® Iris® Xe Graphics
- Ultra-thin design, overall thickness is under 60mm;
- Narrow bezel design bring the more compact overall size;
- Aluminum alloy cooling backshell , sealed and fanless system design, dustproof, anti-vibration and anti-interference;
- Rich I/O interface and expansion slot with 3* M.2, support SSD, WiFi+BT, 4G/5G



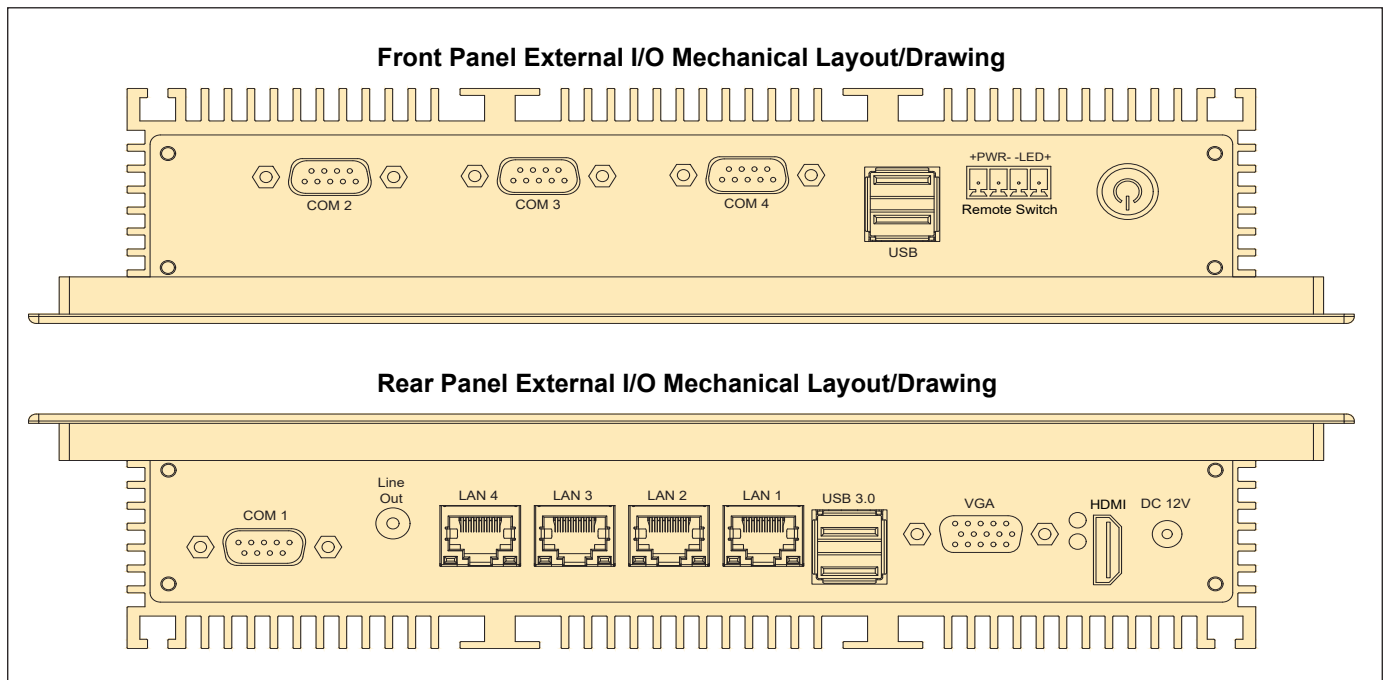
Specifications

| LCD Display | | Touchscreen | | |
|--------------------------|--|---|---|--|
| Display Type | 10.1" TFT LCD (LED backlight) | Touchscreen Type | Projected Capacitive | Non-Touchscreen |
| Resolution | 1280*800 | Touchscreen Method | Ten point | - |
| Luminance | 400 cd/m2 (Typ.) | Surface | 6H | 6H |
| Viewing Angle | 85/85/85/85 (Typ.)(CR>=10) | Durability | - | - |
| Contrast Ratio | 800:1 (Typ.) (Transmission) | Transparency | 85±3% | >88% |
| System | | | | |
| CPU | Model | Intel® Core™ I5-4300U, Dual-core, 1.90 GHz | | Intel® Core™ I7-4600U, Dual-core, 2.10 GHz |
| RAM | SO-DIMM | 1* SO-DIMM Socket, DDR3L-1333/1600 MHz, Up to 8GB | | |
| Storage | MSATA | 1* mSATA3.0 slot on board (6Gb/s) | | |
| Supported OS | Windows & Linux | Win 7, Win 8, Win 10, Win11, Linux (Ubuntu, Debian, Kali, CentOS, etc.); WES 7; Win 10 IoT | | |
| I/O INTERFACE | COM | 1* RS232/422/485 header (COM2); 1* RS232/485 header (COM3); 4* RS232 header (COM1/4/5/6); | | |
| | Ethernet | 4* Intel® i211 GbE LAN, support network wake-up/PXE function | | |
| | USB | 2* USB2.0; 2* USB3.0; 2* USB 2.0 header | | |
| | Video | 1* HDMI, support 3280x2000@60Hz; 1* VGA, support 1920x1200@60Hz; | 1* HDMI, support 3200x2000@60Hz; 1* VGA, support 1920x1200@60Hz; | |
| | Audio | 1* Line out; With 5.1 channels HD Audio Codec Realtek ALC662 | 1* Line out; With 5.1 channels HD Audio Codec Realtek ALC662 | |
| | SIM | 1* Built-in SIM card slot connected to Mini-PCle | | |
| | Power Supply | 12V DC; 1* DC Jack (5.5* 2.5mm); Optional 9-30V DC PWR module with Terminal Block (2-Pin, 5.08mm) | | |
| Other | 1* Terminal Block (4-Pin, 3.81mm) with Remote Switch and Power Indicator 1* 8-bit GPIO header with 4 inputs and 4 outputs, Input voltage range: 0-5V; | | | |
| Extended Capabilities | Additional Internal Interface | 1* Full Size Mini-PCle with SIM card slot (PCle+USB2.0, support Wi-Fi+BT/ 4G) | | |
| Environment | Operating Temperature | Non-Touch: 0~50°C; Capacitive: -20~60°C; (w/ 0.7m/s Airflow) | | |
| | Storage Temperature | Non-Touch: 0 ~ 50°C; Capacitive: -20 ~ 60°C | | |
| | Relative Humidity | 40 °C @ 95%, Non-Condensing | | |
| Physical Characteristics | Dimensions | 259.6*177.6*50.5 mm | | |
| | Net Weight | Around 2.2kg (The final weight is subject to actual ordering configuration) | | |
| Regulation | EMC | CE/FCC Class B, CCC | | |
| | Safety | CE-LVD, RoHS, CCC | | |

Dimension Drawings



The actual appearance and dimensions are subject to the final configuration



Processors Info & Available List

| CPU | Code Name | Total Cores | Total Threads | Max Turbo Frequency | Base Frequency | Cache | TDP | Memory Types | Integrated Graphics |
|-----------------------|-----------|-------------|---------------|---------------------|----------------|-------------------------|-----|--------------|-------------------------|
| Intel® Core™ I5-4300U | Haswell | 2 | 4 | 2.90 GHz | 1.90 GHz | 3 MB Intel® Smart Cache | 15W | DDR3 | Intel® HD Graphics 4400 |
| Intel® Core™ I7-4600U | Haswell | 2 | 4 | 3.30 GHz | 2.10 GHz | 4 MB Intel® Smart Cache | 15W | DDR3 | Intel® HD Graphics 4400 |

All products and company name listed are trademarks or trade names of their respective companies.

Ordering Information

| SO-DIMM Socket | mSATA3.0 Slot | Full Size Mini-PCIe | COM headers | GbE LAN | | |
|----------------|---------------|---------------------|-------------|----------|---------------|--------------|
| 1 | 1 | 1 | 6 | 4 | | |
| USB 2.0 | USB 3.0 | HDMI | VGA | Line Out | SIM Card Slot | Power Supply |
| 2 | 2 | 1 | 1 | 1 | 1 | DC 12V |

!! Note: Custom available for this unit, the actual data is subject to the final configuration

| Model | Aspect Ratio | Screen Size | Touch Function Support | Resolution (H*V) | Brightness (Typ.) | Viewing Angle (Typ.) (CR>=10) | Cutout Dimension (W*H) | Device Dimension (W*H*D) | N.W. | Operating Temp./ Storage Temp. |
|------------------------|--------------|-------------|------------------------|------------------|-----------------------|-------------------------------|------------------------|--------------------------|--------|--------------------------------|
| IPPC-104V2-4L6C-10W-NT | 16:10 | 10.1" | Non-Touch | 1280*800 | 400 cd/m ² | 85/85/85/85 | 249.6*167.6 mm | 259.6*177.6*50.5 mm | 2.2 kg | -30~80°C/ -30 ~ 80°C |
| IPPC-104V2-4L6C-10W-CT | 16:10 | 10.1" | Capacitive Touch | 1280*800 | 400 cd/m ² | 85/85/85/85 | 249.6*167.6 mm | 259.6*177.6*50.5 mm | 2.2 kg | -20~70°C/ -20 ~ 70°C |

Packing List

| Default Items | Qty |
|--------------------------|-----|
| IPPC-104V2-4L6C-12S Unit | 1 |
| AC-to-DC Adapter | 1 |
| Power Cable 3-pin 150cm | 1 |

Options for Default items

| Optional Items | Qty |
|-----------------------------------|-----|
| Power Cable 3-pin 150cm, USA type | - |
| Power Cable 3-pin 150cm, EU type | - |
| Power Cable 3-pin 150cm, UK type | - |
| VESA mount kits | - |

Optional accessories or internal modules for unit

| Optional Items | Max Qty | Description |
|------------------------------|---------|--|
| DC9-30V TO DC-12V PWR module | 1 | PCB, Power supply voltage conversion module, connected by header |
| Isolated 8-bit GPIO, 9-26V | 1 | Phoenix Terminal connector, connected by jumper |
| Isolated RS-232 | 6 | DB9 or Phoenix Terminal connector, connected by header |
| Isolated 8-bit GPIO, 9-24V | 1 | Phoenix Terminal connector, connected by header |
| 4G Module | 1 | Connected by M.2 interface |
| 5G Module | 1 | Connected by M.2 interface |
| WiFi Module without AP mode | 1 | Connected by M.2 interface |

!! Note: As this product has expansion slots, please consult sales for the specific maximum number of expandable interfaces.