

# IPPC-104V2-4L6C-12S



- 11th Gen Intel Core/ Celeron CPU with Intel® Iris® Xe Graphics
- Ultra-thin design, overall thickness is under 60mm;
- Narrow bezel design bring the more compact overall size;
- Aluminum alloy cooling backshell , sealed and fanless system design, dustproof, anti-vibration and anti-interference;
- Rich I/O interface and expansion slot with 3\* M.2, support SSD, WiFi+BT, 4G/5G



Front Panel



Rear Panel

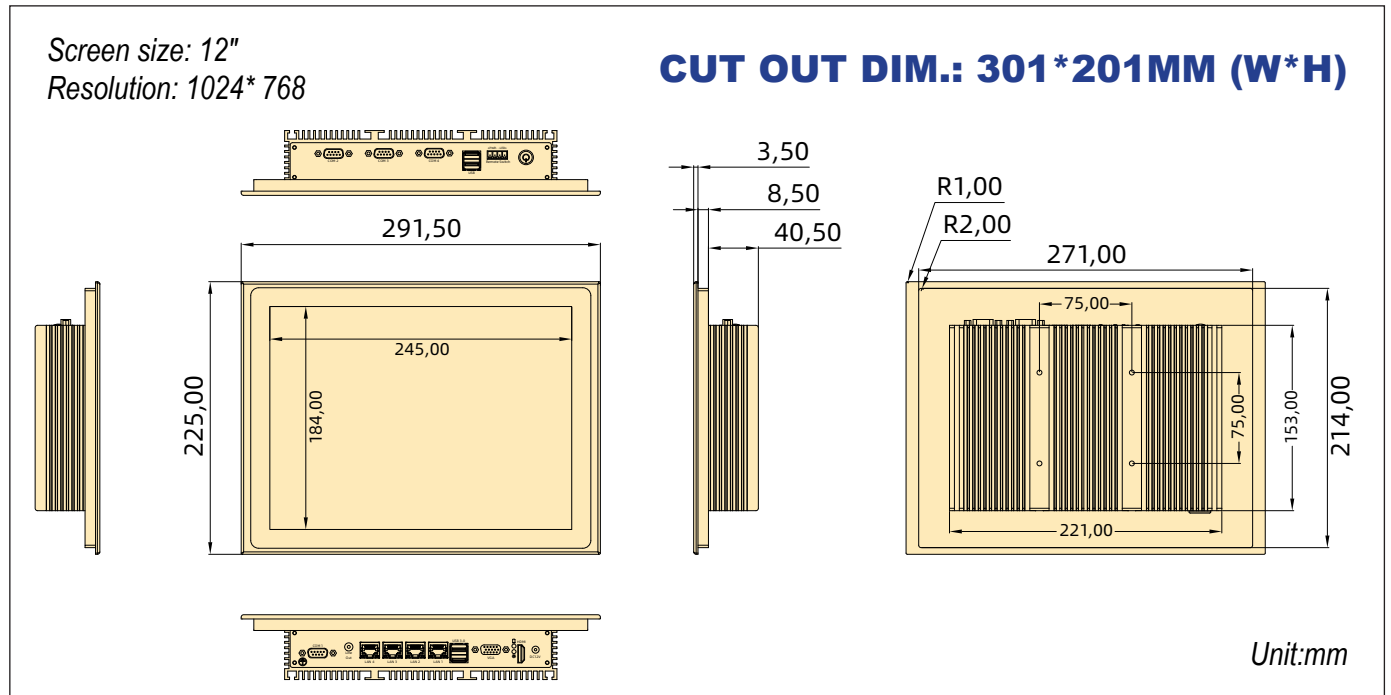


## Specifications

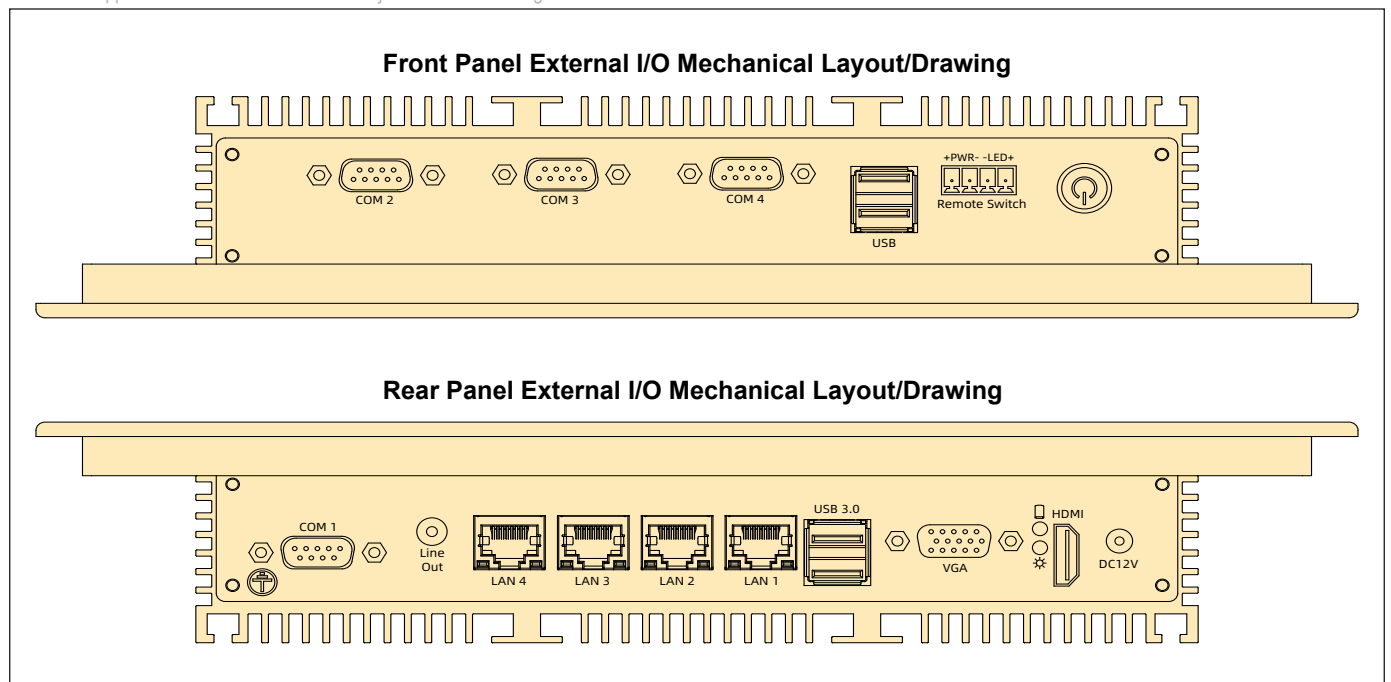
The actual appearance is subject to the final configuration

| LCD Display              |  | Touchscreen   |                   |   |                 |
|--------------------------|--|---|-------------------|---|-----------------|
| Display Type             | 12" TFT LCD (LED backlight)  | Touchscreen Type  | 5-Wire Resistive  | Projected Capacitive  | Non-Touchscreen |
| Resolution               | 1024*768   | Touchscreen Method  | Single point      | Ten point   | -               |
| Luminance                | 500 cd/m2 (Typ.)   | Surface   | 3H                | 6H  | 6H              |
| Viewing Angle            | 88/88/88/88 (Typ.)(CR>=10)   | Durability  | 1 million touches | -   | -               |
| Contrast Ratio           | 1200:1 (Typ.) ( Transmission )   | Transparency  | 75%±8%            | 85±3%   | >88%            |
| System                   |  |   |                   |   |                 |
| CPU                      | Model  | Intel® Core™ I5-4300U, Dual-core, 1.90 GHz  |                   | Intel® Core™ I7-4600U, Dual-core, 2.10 GHz                          |                 |
| RAM                      | SO-DIMM  | 1* SO-DIMM Socket, DDR3L-1333/1600 MHz, Up to 8GB   |                   |   |                 |
| Storage                  | MSATA  | 1* mSATA3.0 slot on board (6Gb/s)   |                   |   |                 |
| Supported OS             | Windows & Linux  | Win 7, Win 8, Win 10, Win11, Linux (Ubuntu, Debian, Kali, CentOS, etc.); WES 7; Win 10 IoT        |                   |   |                 |
| I/O INTERFACE            | COM  | 1* RS232/422/485 header (COM2); 1* RS232/485 header (COM3); 4* RS232 header (COM1/4/5/6);         |                   |   |                 |
|                          | Ethernet   | 4* Intel® i211 GbE LAN, support network wake-up/PXE function                                      |                   |   |                 |
|                          | USB  | 2* USB2.0; 2* USB3.0; 2* USB 2.0 header   |                   |   |                 |
|                          | Video  | 1* HDMI, support 3280x2000@60Hz;<br>1* VGA, support 1920x1200@60Hz;                               |                   | 1* HDMI, support 3200x2000@60Hz;<br>1* VGA, support 1920x1200@60Hz; |                 |
|                          | Audio  | 1* Line out; With 5.1 channels HD Audio Codec Realtek ALC662                                      |                   | 1* Line out; With 5.1 channels HD Audio Codec Realtek ALC662        |                 |
|                          | SIM  | 1* Built-in SIM card slot connected to Mini-PCIe  |                   |   |                 |
|                          | Power Supply   | 12V DC; 1* DC Jack (5.5* 2.5mm); Optional 9-30V DC PWR module with Terminal Block (2-Pin, 5.08mm) |                   |   |                 |
| Other                    | 1* Terminal Block (4-Pin, 3.81mm) with Remote Switch and Power Indicator<br>1* 8-bit GPIO header with 4 inputs and 4 outputs, Input voltage range: 0-5V; |   |                   |   |                 |
| Extended Capabilities    | Additional Internal Interface  | 1* Full Size Mini-PCIe with SIM card slot (PCIe+USB2.0, support Wi-Fi+BT/ 4G)                     |                   |   |                 |
| Environment              | Operating Temperature  | Non-Touch: 0~50°C; Capacitive: -20~60°C; (w/ 0.7m/s Airflow)                                      |                   |   |                 |
|                          | Storage Temperature  | Non-Touch: 0 ~ 50°C; Capacitive: -20 ~ 60°C   |                   |   |                 |
|                          | Relative Humidity  | 40 °C @ 95%, Non-Condensing   |                   |   |                 |
| Physical Characteristics | Dimensions   | 291.5*225*52.5 mm   |                   |   |                 |
|                          | Net Weight   | Around 2.2kg (The final weight is subject to actual ordering configuration)                       |                   |   |                 |
| Regulation               | EMC  | CE/FCC Class B, CCC   |                   |   |                 |
|                          | Safety   | CE-LVD, RoHS, CCC   |                   |   |                 |

### Dimension Drawings



The actual appearance and dimensions are subject to the final configuration



### Processors Info & Available List

| CPU                   | Code Name | Total Cores | Total Threads | Max Turbo Frequency | Base Frequency | Cache                   | TDP | Memory Types | Integrated Graphics     |
|-----------------------|-----------|-------------|---------------|---------------------|----------------|-------------------------|-----|--------------|-------------------------|
| Intel® Core™ i5-4300U | Haswell   | 2           | 4             | 2.90 GHz            | 1.90 GHz       | 3 MB Intel® Smart Cache | 15W | DDR3         | Intel® HD Graphics 4400 |
| Intel® Core™ i7-4600U | Haswell   | 2           | 4             | 3.30 GHz            | 2.10 GHz       | 4 MB Intel® Smart Cache | 15W | DDR3         | Intel® HD Graphics 4400 |

All products and company name listed are trademarks or trade names of their respective companies.

## Ordering Information

| SO-DIMM Socket | mSATA3.0 Slot | Full Size Mini-PCIe | COM headers | GbE LAN  |               |              |
|----------------|---------------|---------------------|-------------|----------|---------------|--------------|
| 1              | 1             | 1                   | 6           | 4        |               |              |
| USB 2.0        | USB 3.0       | HDMI                | VGA         | Line Out | SIM Card Slot | Power Supply |
| 2              | 2             | 1                   | 1           | 1        | 1             | DC 12V       |

!! Note: Custom available for this unit, the actual data is subject to the final configuration

| Model                  | Aspect Ratio | Screen Size | Touch Function Support | Resolution (H*V) | Brightness (Typ.)     | Viewing Angle (Typ.) (CR>=10) | Cutout Dimension (W*H) | Device Dimension (W*H*D) | N.W.   | Operating Temp./ Storage Temp. |
|------------------------|--------------|-------------|------------------------|------------------|-----------------------|-------------------------------|------------------------|--------------------------|--------|--------------------------------|
| IPPC-104V2-4L6C-12S-NT | 4:3          | 12"         | Non-Touch              | 1024*768         | 500 cd/m <sup>2</sup> | 88/88/88/88                   | 273*216 mm             | 291.5*225*52.5 mm        | 2.2 kg | -20~70°C/ -30 ~ 80°C           |
| IPPC-104V2-4L6C-12S-CT | 4:3          | 12"         | Capacitive Touch       | 1024*768         | 500 cd/m <sup>2</sup> | 88/88/88/88                   | 273*216 mm             | 291.5*225*52.5 mm        | 2.2 kg | -20~70°C/ -20 ~ 70°C           |
| IPPC-104V2-4L6C-12S-RT | 4:3          | 12"         | Resistive Touch        | 1024*768         | 500 cd/m <sup>2</sup> | 88/88/88/88                   | 273*216 mm             | 291.5*225*52.5 mm        | 2.2 kg | -10~50°C/ -20 ~ 50°C           |

## Packing List

| Default Items            | Qty |
|--------------------------|-----|
| IPPC-104V2-4L6C-12S Unit | 1   |
| AC-to-DC Adapter         | 1   |
| Power Cable 3-pin 150cm  | 1   |

## Options for Default items

| Optional Items                    | Qty |
|-----------------------------------|-----|
| Power Cable 3-pin 150cm, USA type | -   |
| Power Cable 3-pin 150cm, EU type  | -   |
| Power Cable 3-pin 150cm, UK type  | -   |
| VESA mount kits                   | -   |

## Optional accessories or internal modules for unit

| Optional Items               | Max Qty | Description  |
|------------------------------|---------|--|
| DC9-30V TO DC-12V PWR module | 1       | PCB, Power supply voltage conversion module, connected by header |
| Isolated 8-bit GPIO, 9-26V   | 1       | Phoenix Terminal connector, connected by jumper                  |
| Isolated RS-232              | 6       | DB9 or Phoenix Terminal connector, connected by header           |
| Isolated 8-bit GPIO, 9-24V   | 1       | Phoenix Terminal connector, connected by header                  |
| 4G Module                    | 1       | Connected by M.2 interface                                       |
| 5G Module                    | 1       | Connected by M.2 interface                                       |
| WiFi Module without AP mode  | 1       | Connected by M.2 interface                                       |

!! Note: As this product has expansion slots, please consult sales for the specific maximum number of expandable interfaces.